

# IF YOU...



MIX IT. FILL IT. PACK IT. SHIP IT.

# WE HAVE A **PRODUCT** FOR YOU

Part #: 68WC3G

---

---



---

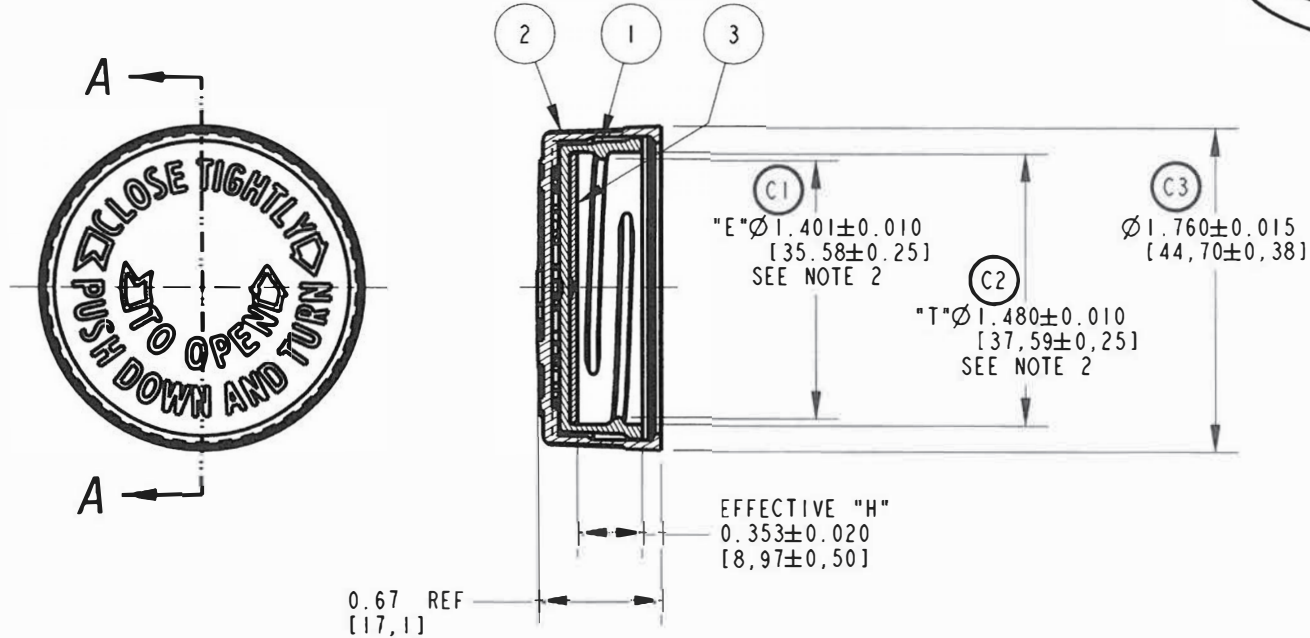
The  
**CARY**COMPANY  
Est. 1895

1195 W. Fullerton Ave. | Addison, IL 60101 | T: 630.629.6600 | F: 630.629.3690 |

Description	SC-381-CR-989 GREEN VENTED Oleophobic
Specification Number	05510012
Date	May 31, 2018
Prepared By	Brian Jordan
Approved By	Gary Baughman

Parameter	Specification
Material(s) of Construction	Inner – Polypropylene Copolymer Outer – Polypropylene Homopolymer
Standard Color (Other Colors Available Upon Request)	Green
Nominal Dimensions in Inches (mm)	(See attached drawing)
Opening Print Drawing Number Revision	N/A
Special Markings	Embossed
Accessories	Oleophobic Vented Foam Liner + Oleophobic Vented Lift N Peel Heat Seal Liner
Applied Torque	19-23 in-lbs.
Method of Delivery	1700/carton 24 carton/pallet
Components	
Drawing Number Revision	28003356 A

INDEX	DESCRIPTION	DRAWING NO.	PART NO.	MATERIAL
1	38mm CR CLOSURE, INNER	28003349	SC381-CR-A	POLYPROPYLENE
2	38mm CR CLOSURE, OUTER	28003350	SC381-CR-B	POLYPROPYLENE
3	LINER	PURCHASED	SC381-CR-C	OPTIONS AVAILABLE



NOTES:

1. DIMENSIONS ARE IN INCHES [MILLIMETERS]

2. 6 THREADS PER INCH

3. SUGGESTED APPLICATION TORQUE: 19 - 23 in-lb

(B1)

The  
**CARY COMPANY**  
Est. 1895

BREAK ALL SHARP EDGES WITH 1/64" RADIUS, UNLESS OTHERWISE SPECIFIED		DATE	DRAWN BY	C	C1: $\varnothing 1.401$ WAS $\varnothing 1.400$ , C2: $\varnothing 1.480$ WAS $\varnothing 1.481$ , C3: $\varnothing 1.760$ WAS $\varnothing 1.756$	05-OCT-17	TPK	TITLE	
THE FOLLOWING TOLERANCES APPLY UNLESS OTHERWISE SPECIFIED:		21-NOV-16	TPK	B	B1: ADD TORQUE NOTE	08-SEP-17	TPK	ASSEMBLY, SC381-CR, NON-VENTED	
ANGLES	$\pm 1/4^\circ$	SCALE	CHECKED	A	REVISE DRAWING LAYOUT	31-AUG-17	TPK	PRODUCT	SC381
X.XX [X.X]	$\pm .010$ [0.2]	I	XXX	CHANGE NUMBER	CHANGE	DATE	BY	DRAWING NUMBER	28003356
X.XXX [X.XX]	$\pm .005$ [0.10]			APPROVED					
								DETAIL NUMBER	
								SC381-CR-GA	