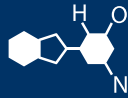


IF YOU...



MIX IT. FILL IT. PACK IT. SHIP IT.

WE HAVE A PRODUCT FOR YOU

Part # 68WCW2

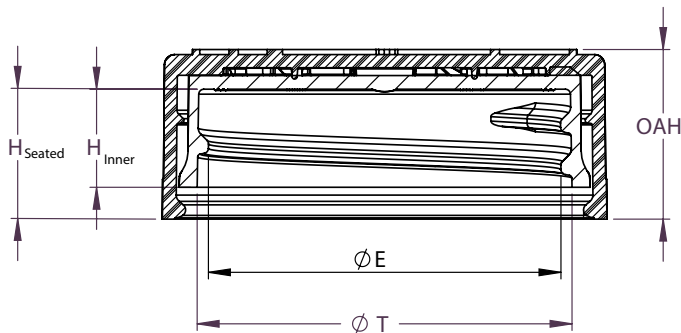
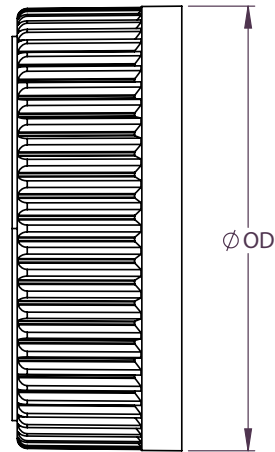
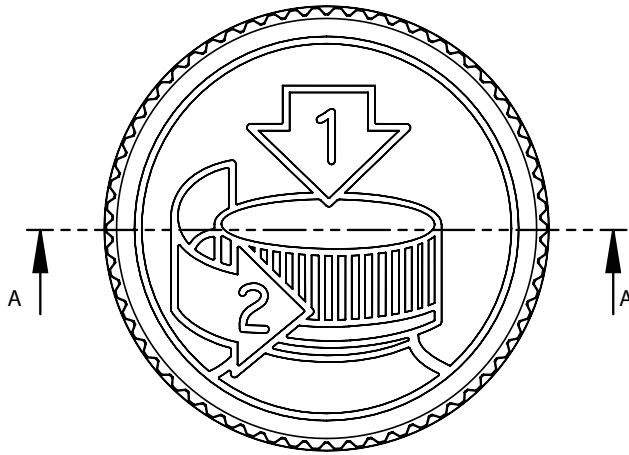
"Pictorial" Child Resistant Caps

**38mm 38-400 White Child Resistant Cap (Pictorial)
w/Universal HIS Liner, 1-Piece, Tamper Indicating**



The
CARYCOMPANY
Est. 1895

1195 W. Fullerton Ave. | Addison, IL 60101 | T: 630.629.6600 | F: 630.629.3690 | TheCaryCompany.com



SECTION A-A
SCALE 3 : 2

.167 PITCH - 6 THREADS PER INCH
380° FULL DEPTH THREAD

REFERENCE	TOLERANCE	DIMENSION	UNITS
E	±0.010 [0.25]	1.396 [35.46]	in [mm]
T	±0.010 [0.25]	1.488 [37.80]	in [mm]
H (Seated)	REFERENCE	0.521 [13.23]	in [mm]
H (Inner)	±0.008 [0.20]	0.388 [9.86]	in [mm]
OD	±0.013 [0.33]	1.760 [44.70]	in [mm]
OAH	±0.011 [0.28]	0.671 [17.04]	in [mm]
PART WEIGHT	± 0.7	7.1	g

STATIC TORQUE RECOMMENDATION
17-26 in-lbs
THIS REQUIREMENT MAY VARY DEPENDING
UPON BOTTLE MATERIAL, NECK FINISH, AND

CAPPING EQUIPMENT

DRAWING TYPE : CUSTOMER

REPLACES DRAWINGS: C-8019
DIMENSIONS ENCLOSED IN ()
INDICATE REFERENCE
DIMENSIONS AND NO TOLERANCE
LIMITS ARE ESTABLISHED

TOLERANCES UNLESS OTHERWISE SPECIFIED

DIMENSION (inches)	TOLERANCE	DIMENSION (mm)	TOLERANCE
0-0.787	±0.006	0-20	±0.152
0.788-1.181	±0.008	21-30	±0.203
1.182-2.756	±0.012	31-70	±0.305
2.757-3.937	±0.016	71-100	±0.406
3.938-5.096	±0.020	101-150	±0.508
5.097-7.874	±0.024	151-200	±0.610
7.875-9.843	±0.032	201-250	±0.813

ANGULAR TOLERANCE ± 2°
PROPRIETARY AND CONFIDENTIAL

The
CARY COMPANY
Est. 1895



DISTRIBUTION
CODE

DRAWING NAME 38-400 CRC ASSM

DRAWING NUMBER CQA - 10023

MATERIAL POLYPROPYLENE

MODEL NUMBER PM-10161 38-400 CRC ASSM

SOLIDWORKS
DRAWN BY: BDG 4/29/2016
ENG APPR: BDG 2/1/2017

QA APPR. ACP 2/1/2017

SCALE
1:1

SHEET SIZE
11in*8.5in

SHEET
1 of 3

REV.NP
04.AD