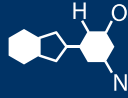


IF YOU...



MIX IT. FILL IT. PACK IT. SHIP IT.

WE HAVE A **PRODUCT** FOR YOU

Part #68WD28

Tamper Evident Beverage Caps

28mm Drop-Lok® White Ribbed Plastic Cap w/Foam Liner
(3-ply)



The
CARYCOMPANY
Est. 1895

1195 W. Fullerton Ave. | Addison, IL 60101 | T: 630.629.6600 | F: 630.629.3690 | TheCaryCompany.com

NOTES:

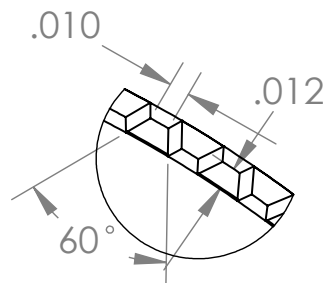
8 THREADS/INCH

DEVIATIONS FROM REFERENCE DIMENSIONS WHICH WILL NOT AFFECT FUNCTION ARE ACCEPTABLE.

HEIGHT DIMENSIONS SUBJECT TO VARIATION DUE TO "CRUSHING" DURING PART EJECTION.

THE DROP-LOK® CLOSURE IS NOT A VENTED CLOSURE AND SHOULD NOT BE USED ON APPLICATIONS THAT PRODUCE INTERNAL PRESSURE IN THE BOTTLE DUE TO CARBONATION, FERMENTATION, ETC.

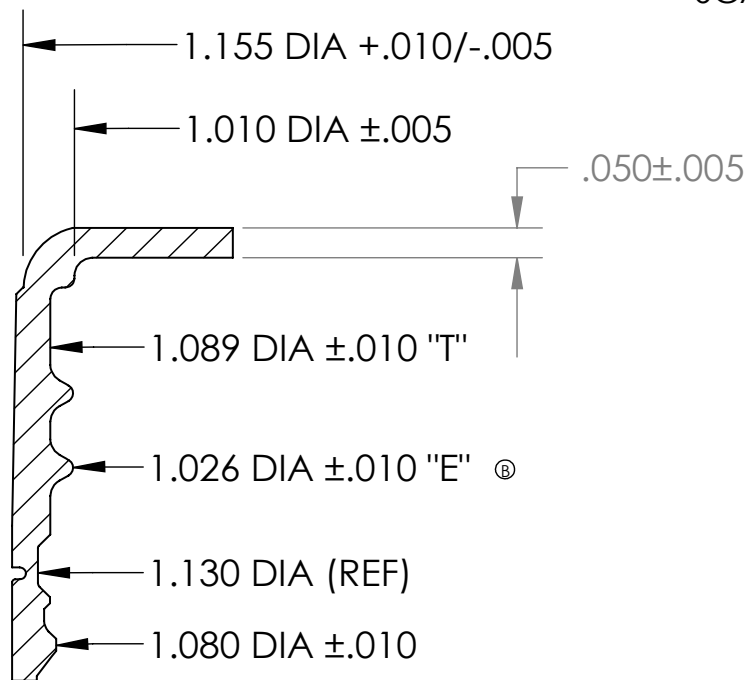
Ⓚ



90 KNURLS

DETAIL B
SCALE 10 : 1

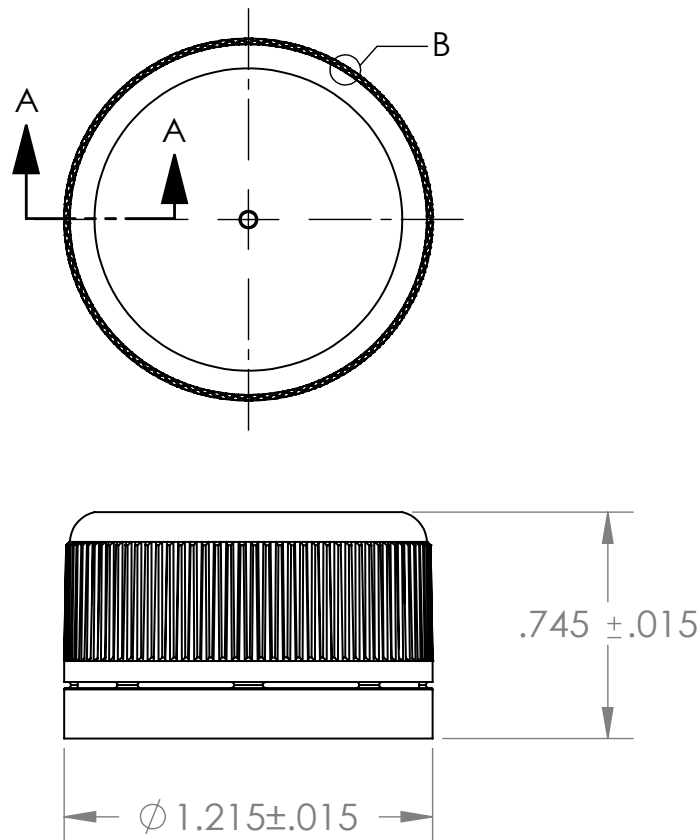
| REVISIONS | | | | |
|-----------|------|--------------------------------------|----------|----------|
| ZONE | REV. | DESCRIPTION | DATE | APPROVED |
| | A | CHANGE NAME IN TITLE BLOCK TO HOFFER | 10/8/98 | SJL |
| | B | DIMENSION WAS 1.029 DIA | 12/16/98 | SJL |
| | B1 | REDRAWN IN CAD | 3/4/08 | WEI |
| | C | REMOVED 1769 GLASS BOTTLE FINISH | 5/19/08 | WEI |
| | D | ADDED NON-VENTED CLOSURE NOTE | 3/16/12 | WEI |



SECTION A-A
SCALE 3 : 1

GLASS FINISH: 1768 Ⓚ

PLASTIC FINISH: 1763 & 1787



UNLESS OTHERWISE SPECIFIED:

DIMENSIONS ARE IN INCHES
TOLERANCES:
FRACTIONAL ±
ANGULAR: ± 1°
TWO PLACE DECIMAL ± .010
THREE PLACE DECIMAL ± .005

INTERPRET GEOMETRIC
TOLERANCING PER:

MATERIAL
POLYPROPYLENE

FINISH

DO NOT SCALE DRAWING

| | NAME | DATE |
|-----------------|-------------------------------|--------|
| DRAWN | WEI | 3/4/08 |
| DESIGN APPROVED | | |
| COMMENTS: | | |
| LINER: | | |
| SS-222 | 1.092 DIA .030 ±.005 THICK | |
| EVA A-300 | 1.092 DIA .028 ±.003 THICK | |

TITLE:
28 mm DROP-LOK®

| | | |
|------------------|-----------------------------|-----------------|
| SIZE A | DWG. NO. CA 28-14 | REV D |
|------------------|-----------------------------|-----------------|

SCALE: 3:2 Shrink: SHEET 1 OF 1