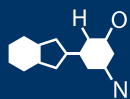


# IF YOU...



MIX IT. FILL IT. PACK IT. SHIP IT.

# WE HAVE A **PRODUCT** FOR YOU

Part #68WD2U

Tamper Evident Beverage Caps

**28mm Drop-Lok® White Ribbed Plastic Cap**



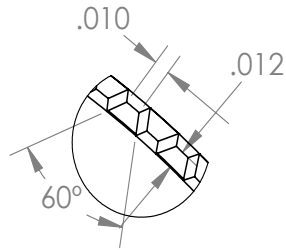
The  
**CARY**COMPANY  
Est. 1895

NOTES: (B)  
8 THREADS/INCH

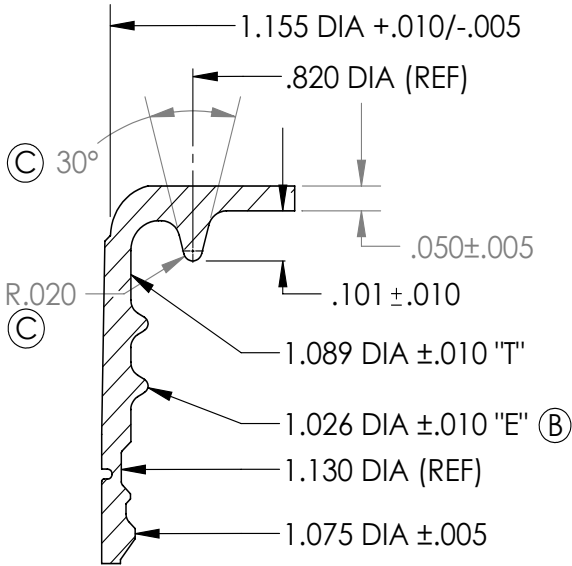
DEVIATIONS FROM REFERENCE DIMENSIONS WHICH WILL NOT AFFECT FUNCTION ARE ACCEPTABLE.

HEIGHT DIMENSIONS SUBJECT TO VARIATION DUE TO "CRUSHING" DURING PART EJECTION.

THE DROP-LOK® CLOSURE IS NOT A VENTED CLOSURE AND SHOULD NOT BE USED ON APPLICATIONS THAT PRODUCE INTERNAL PRESSURE IN THE BOTTLE DUE TO CARBONATION, FERMENTATION, ETC. (E)



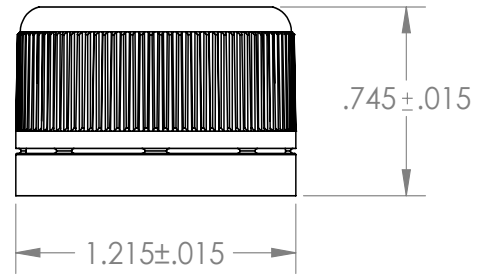
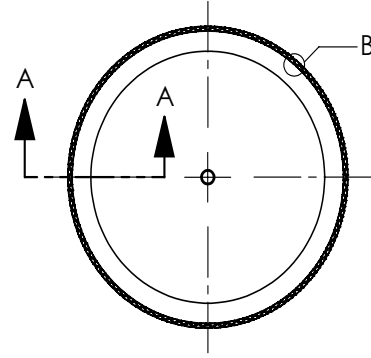
90 KNURLS  
DETAIL B  
SCALE 10 : 1



SECTION A-A  
SCALE 3 : 1

GLASS FINISH: 1768 (D)  
PLASTIC FINISH: 1763 & 1787

REVISIONS				
ZONE	REV.	DESCRIPTION	DATE	APPROVED
	A	CHANGED NAME IN TITLE BLOCK TO HOFFER	10/8/98	SJL
	B	CHANGED 1.029 DIA TO 1.026 & REVISED NOTES	12/16/98	SJL
	C	ADDED .020 RADIUS AND 30° ANGLE	7/25/01	SJL
	C1	REDRAWN IN CAD	3/19/08	WEI
	D	REMOVED 1769 GLASS BOTTLE FINISH	5/16/08	WEI
	E	ADDED NON-VENTED CLOSURE NOTE.	3/16/12	WEI



UNLESS OTHERWISE SPECIFIED:		NAME	DATE	TITLE: <b>28 mm LINERLESS                  DROP-LOK®</b>	
DIMENSIONS ARE IN INCHES		DRAWN	WEI		SCALE: 3:2    Shrink:    SHEET 1 OF 1
TOLERANCES:		DESIGN			
FRACTIONAL ± ANGULAR: ± 1° TWO PLACE DECIMAL ± .010 THREE PLACE DECIMAL ± .005		APPROVED			
INTERPRET GEOMETRIC TOLERANCING PER:		COMMENTS:		SIZE <b>A</b> DWG. NO. <b>CA 0563</b> REV <b>E</b>	
MATERIAL		POLYPROPYLENE			
FINISH					
DO NOT SCALE DRAWING					

5

4

3

2

1