

IF YOU...



MIX IT. FILL IT. PACK IT. SHIP IT.

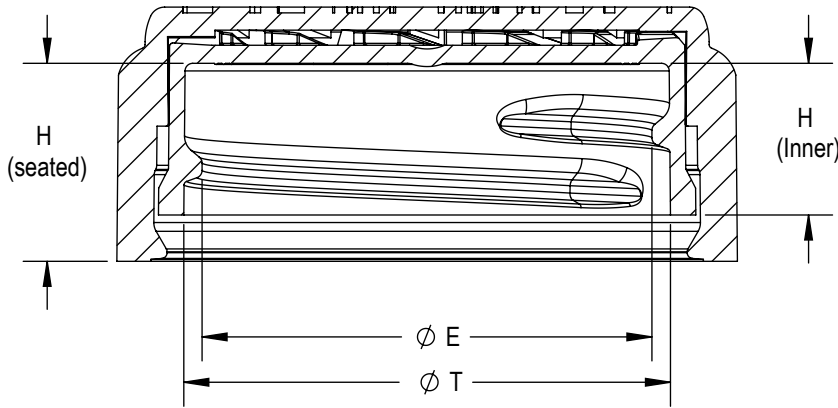
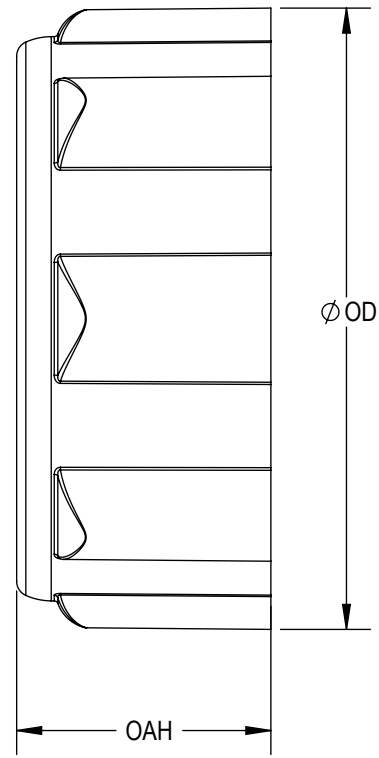
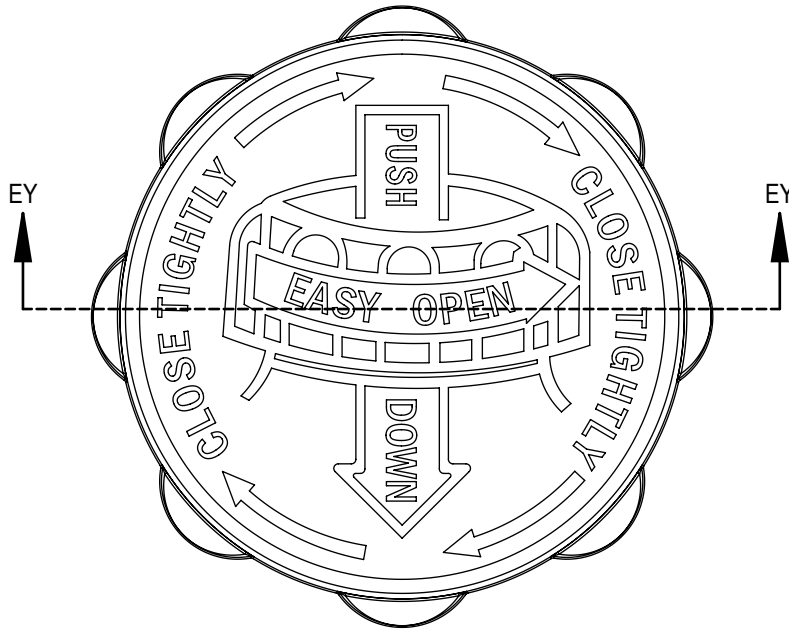
WE HAVE A **PRODUCT** FOR YOU

Part #: 68WEC3



The
CARYCOMPANY
Est. 1895

1195 W. Fullerton Ave. | Addison, IL 60101 | T: 630.629.6600 | F: 630.629.3690 |



SECTION EY-EY
SCALE 2 : 1

THREAD DETAIL INFORMATION
6 THREADS PER INCH, 0.167 PITCH

REFERENCE	TOLERANCE	DIMENSION	UNITS
E	±0.015 [0.38]	1.182 [30.02]	in [mm]
T	±0.015 [0.38]	1.276 [32.41]	in [mm]
H (Seated)	Reference	0.516 [13.11]	in [mm]
H (Inner)	±0.010 [0.25]	0.390 [9.91]	in [mm]
OAH	±0.015 [0.38]	0.660 [16.76]	in [mm]
OD	±0.012 [0.30]	1.629 [41.38]	in [mm]
PART WEIGHT	± 0.50	6.02	g

STATIC TORQUE RECOMMENDATION
15-25 in-lbs
THIS REQUIREMENT MAY VARY DEPENDING UPON BOTTLE MATERIAL, NECK FINISH, AND CAPPING EQUIPMENT

DRAWING TYPE : **CUSTOMER**

REPLACES DRAWINGS: EZ 33 CRC
DIMENSIONS ENCLOSED IN () INDICATE REFERENCE DIMENSIONS AND NO TOLERANCE LIMITS ARE ESTABLISHED



TOLERANCES UNLESS OTHERWISE SPECIFIED

DIMENSION (inches)	TOLERANCE	DIMENSION (mm)	TOLERANCE
0-0.787	±0.006	0-20	±0.152
0.788-1.181	±0.008	21-30	±0.203
1.182-2.756	±0.012	31-70	±0.305
2.757-3.937	±0.016	71-100	±0.406
3.938-5.096	±0.020	101-150	±0.508
5.097-7.874	±0.024	151-200	±0.610
7.875-9.843	±0.032	201-250	±0.813

ANGULAR TOLERANCE ± 2°
PROPRIETARY AND CONFIDENTIAL

THIS MASTER DOCUMENT IS CONTROLLED ELECTRONICALLY. PRINTED OR DOWNLOADED COPIES ARE UNCONTROLLED. DOCUMENT USERS ARE RESPONSIBLE FOR ENSURING THEY HAVE THE LATEST REVISION PRIOR TO USE.

THIRD ANGLE PROJECTION

DISTRIBUTION CODE: **D**

DRAWING NAME: **33-400 EZ-Safe CRC PDT (DEBOSS)**

DRAWING NUMBER: **CQA - 10391**

MATERIAL: **POLYPROPYLENE**

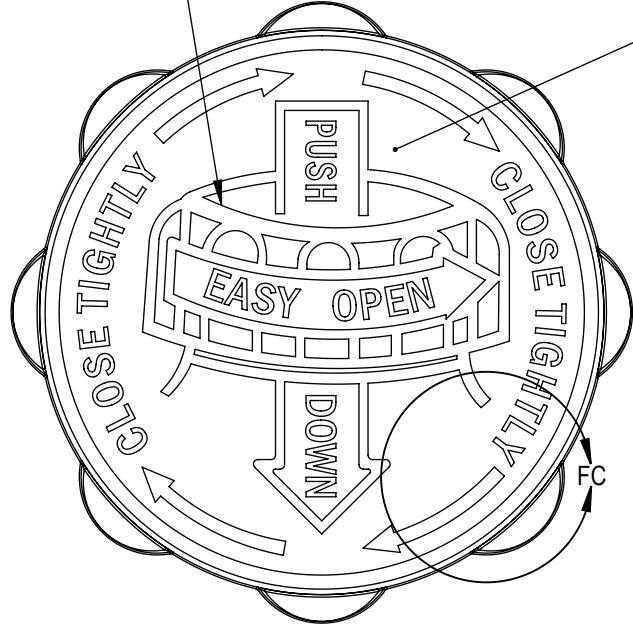
MODEL NUMBER: **PM 10390 33-400 CRC EZSAFE ASSEM**

SCALE: 1:1	SHEET SIZE: 11in*8.5in	SHEET: 1 of 3	REV/ NP: 01.AA
------------	------------------------	---------------	----------------

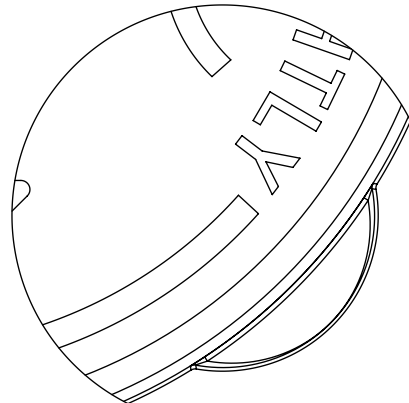
DRAWN BY: BDG 9/19/2016
ENG APPR: BDG 9/24/2021
QA APPR: HW 09/26/2021

PDR3					
DATE	REV.	N/P	DESCRIPTION	ENG	DRW
02/20/2018	00	AA	NEW DRAWING FORMAT. UPDATED H, OAH AND OD BASED ON MOLD VALIDATION	BDG	BDG
09/24/2021	01	AA	INCREASED OAH TO 0.660 WAS 0.642, UPDATED PART WEIGHT AND OD TO 1.629 WAS 1.622	BDG	BDG

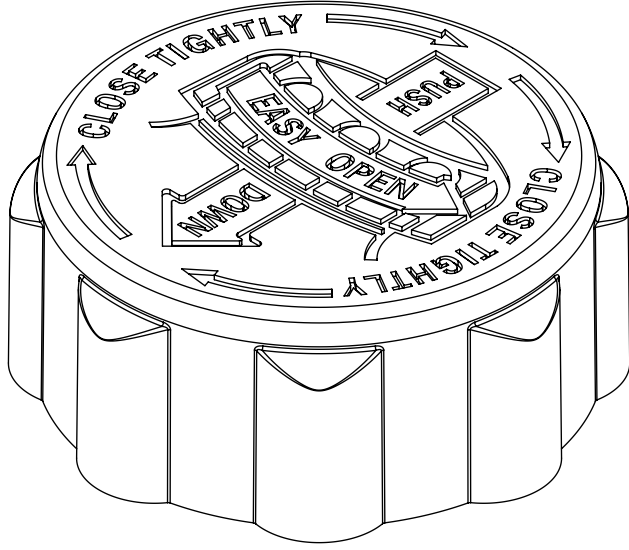
INSTRUCTIONS
DEBOSSED 0.015"



MATTE FINISH
TOP & SIDES



DETAIL A
SCALE 4 : 1
(8) EQUISPACED RIBS

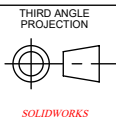


THIS MASTER DOCUMENT IS CONTROLLED ELECTRONICALLY. PRINTED OR DOWNLOADED COPIES ARE UNCONTROLLED. DOCUMENT USERS ARE RESPONSIBLE FOR ENSURING THEY HAVE THE LATEST REVISION PRIOR TO USE.

DRAWING TYPE : CUSTOMER

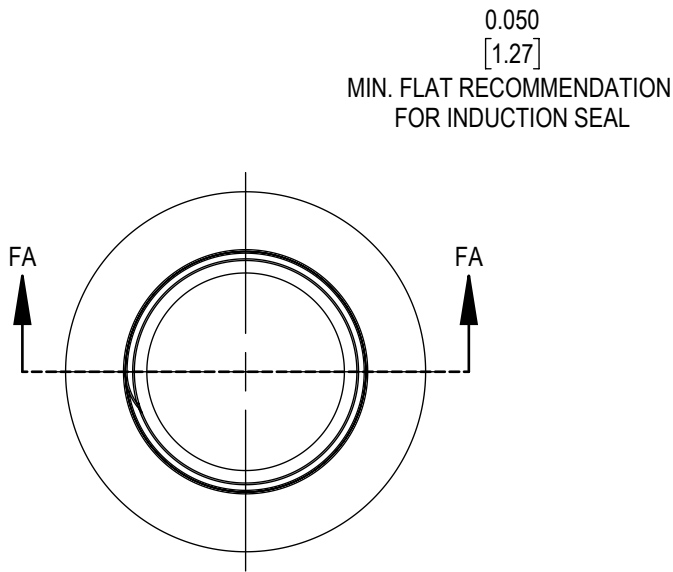
REFERENCES: 33018
DIMENSIONS ENCLOSED IN () INDICATE REFERENCE DIMENSIONS AND NO TOLERANCE LIMITS ARE ESTABLISHED

TOLERANCES UNLESS OTHERWISE SPECIFIED			
DIMENSION (inches)	TOLERANCE	DIMENSION (mm)	TOLERANCE
0-0.787	±0.006	0-20	±0.152
0.788-1.181	±0.008	21-30	±0.203
1.182-2.756	±0.012	31-70	±0.305
2.757-3.937	±0.016	71-100	±0.406
3.938-5.096	±0.020	101-150	±0.508
5.097-7.874	±0.024	151-200	±0.610
7.875-9.843	±0.032	201-250	±0.813
ANGULAR TOLERANCE ± 2°			
PROPRIETARY AND CONFIDENTIAL			

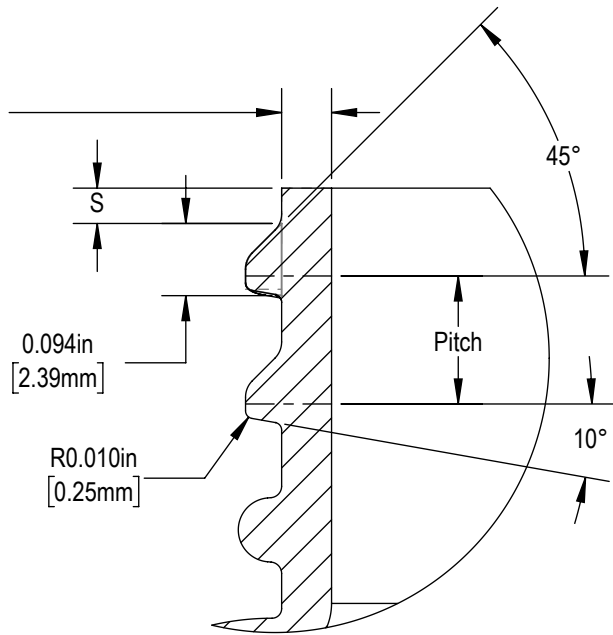


DISTRIBUTION CODE D	DRAWING NAME 33-400 EZ-Safe CRC PDT (DEBOSS)		
	DRAWING NUMBER CQA - 10391		
DRAWN BY: BDG	9/19/2016	MATERIAL POLYPROPYLENE	
ENG APPR: BDG	9/24/2021	MODEL NUMBER PM 10390 33-400 CRC EZSAFE ASSEM	
QA APPR: HW	09/26/2021	SCALE 1:1	SHEET SIZE 8.5 X 11
		SHEET 2 of 3	REV.NP 01.AA

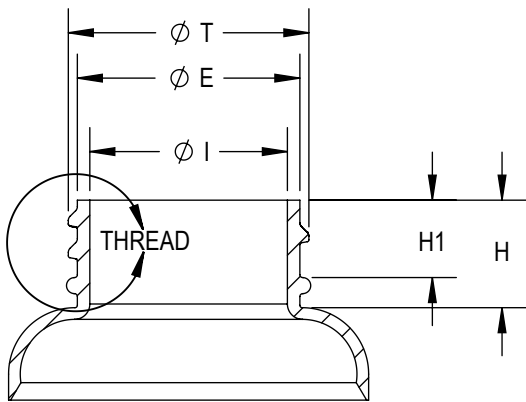
RECOMMENDED NECK FINISH



0.050
[1.27]
MIN. FLAT RECOMMENDATION
FOR INDUCTION SEAL



DETAIL THREAD
SCALE 4 : 1



SECTION FA-FA

REFERENCE	TOLERANCE	UNITS	DIMENSION
E	± 0.008 [0.30]	in [mm]	1.159 [29.43]
T	± 0.008 [0.30]	in [mm]	1.253 [31.82]
I	MINIMUM	in [mm]	1.000 [25.40]
S	± 0.015 [0.38]	in [mm]	0.046 [1.17]
H	MINIMUM	in [mm]	0.550 [13.97]
H1	MINIMUM	in [mm]	0.405 [10.29]
BEAD	MAXIMUM	in [mm]	1.330 [33.78]
PITCH		in	6
TPI		in [mm]	0.167[3.18]

NOTE: THE NOMINAL ORIENTATION ILLUSTRATED IS BASED ON NOMINAL DIMENSIONS OF BOTH THE CLOSURE AND THE RECOMMENDED NECK FINISH. FOR EXACT ORIENTATION EACH BOTTLE SHOULD BE EVALUATED ON A CASE BY CASE BASIS.

THIS MASTER DOCUMENT IS CONTROLLED ELECTRONICALLY. PRINTED OR DOWNLOADED COPIES ARE UNCONTROLLED. DOCUMENT USERS ARE RESPONSIBLE FOR ENSURING THEY HAVE THE LATEST REVISION PRIOR TO USE.

DRAWING TYPE : CUSTOMER

DIMENSIONS ENCLOSED IN () INDICATE REFERENCE DIMENSIONS AND NO TOLERANCE LIMITS ARE ESTABLISHED

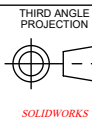
TOLERANCES UNLESS OTHERWISE SPECIFIED

DIMENSION (inches)	TOLERANCE	DIMENSION (mm)	TOLERANCE
0-0.787	± 0.006	0-20	± 0.152
0.788-1.181	± 0.008	21-30	± 0.203
1.182-2.756	± 0.012	31-70	± 0.305
2.757-3.937	± 0.016	71-100	± 0.406
3.938-5.096	± 0.020	101-150	± 0.508
5.097-7.874	± 0.024	151-200	± 0.610
7.875-9.843	± 0.032	201-250	± 0.813

ANGULAR TOLERANCE $\pm 2^\circ$

PROPRIETARY AND CONFIDENTIAL

The
CARY COMPANY
Est. 1895



DISTRIBUTION CODE
D

DRAWING NAME
**33-400 EZ-Safe CRC
RECOMMENDED NECK FINISH**
DRAWING NUMBER
CQA - 10391

DRAWN BY: BDG 9/19/2016
ENG APPR: BDG 9/24/2021
QA APPR: HW 09/26/2021

MATERIAL
MODEL NUMBER:
SCALE: 1:1
SHEET SIZE: 8.5 X 11
SHEET: 3 of 3
REV/N/P: 01.AA