

# IF YOU...



MIX IT. FILL IT. PACK IT. SHIP IT.

# WE HAVE A PRODUCT FOR YOU



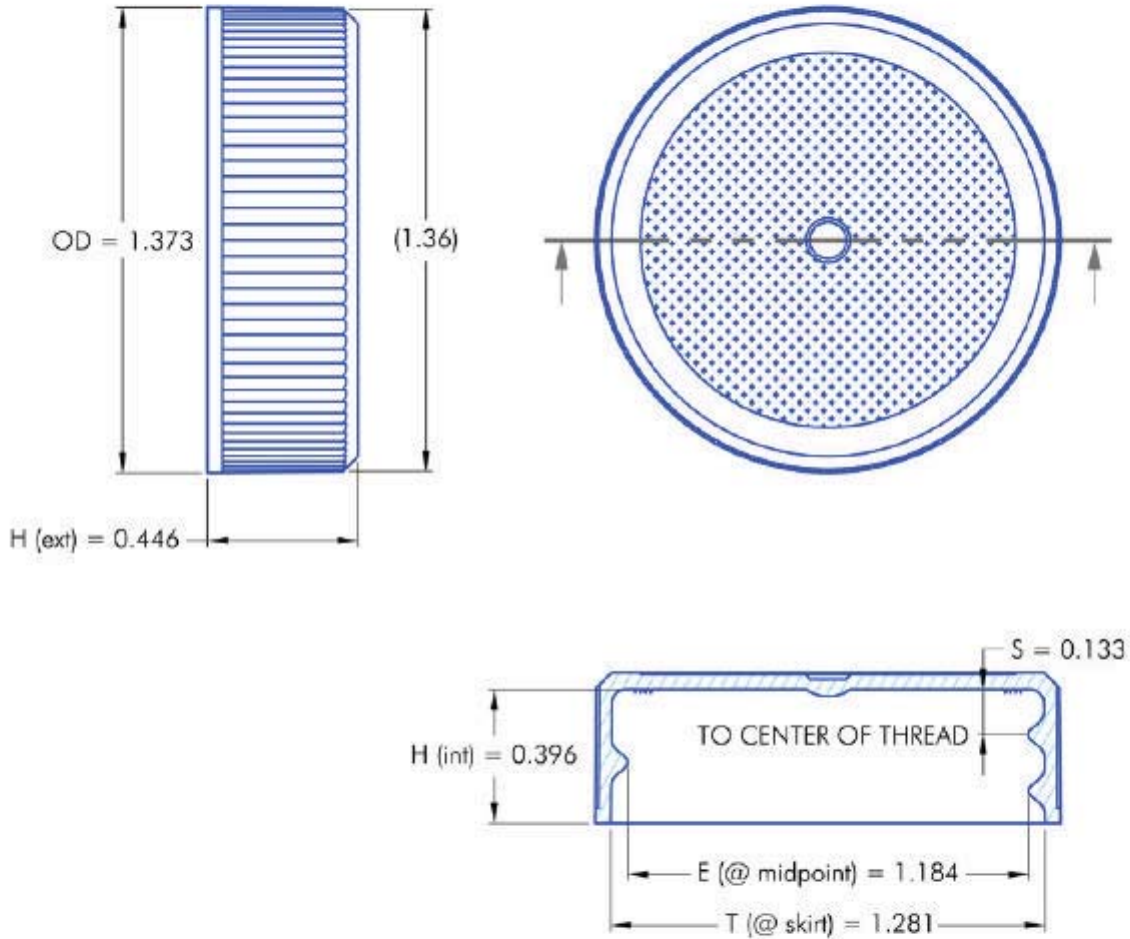
Part #	68WF33
Neck Width	33mm
Neck Finish	33-400
Cap Liner	Foilseal™ .020" Pulp FS M-1 Heat Induction Foil
Color	White
Material	PP
Case Pack	5,000 ea.
Pallet Pack	75,000 ea. (15 Cases)
Case Weight	29.649 lbs.
Case Dimensions	24" x 15" x 15"
Pallet Dimensions	48" x 40" x 50"
FDA Approved	Yes



Supplied By: **The Cary Company**

Ph: 630-629-6600

www.thecarycompany.com



NOTES: (UNLESS OTHERWISE SPECIFIED)

1. ALL DIMENSIONS ARE IN INCHES.
2. TOLERANCE ON ALL DIMENSIONS IS  $\pm 0.010$  INCHES.

REV	DATE	DESCRIPTION	BY

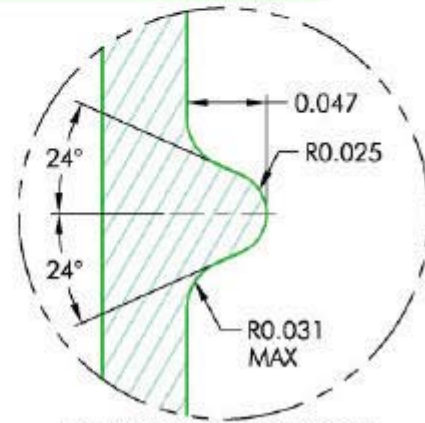
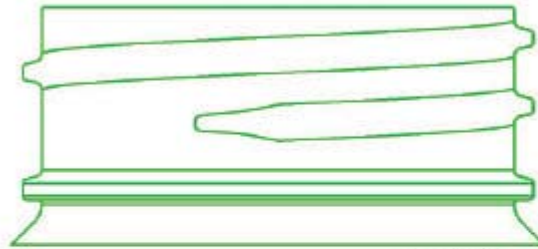
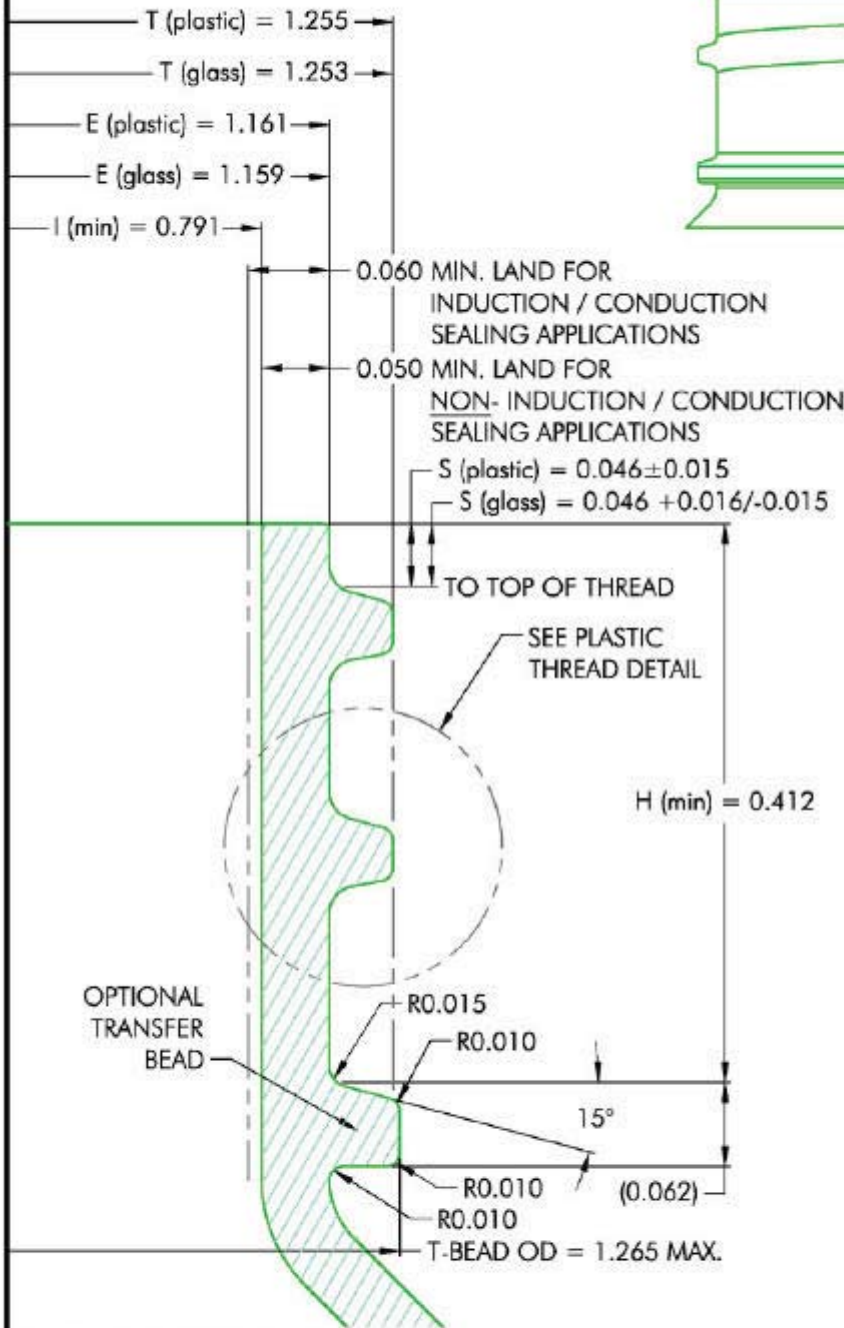
PITCH (TPI):	6	# OF TURNS:	1-1/8	MATERIAL:	POLYPROPYLENE
DRAWING #:	33-400-6213 (S)				
DESCRIPTION:	FINE RIB / CHAMFERED TOP / MATTE FINISH				
FILE:	33-400-6213-R2.dwg	SCALE:	2 : 1		
DRAWN BY:	DMN	DATE:	07.16.02	APPRVD BY:	LRE
REV:	2	WP			



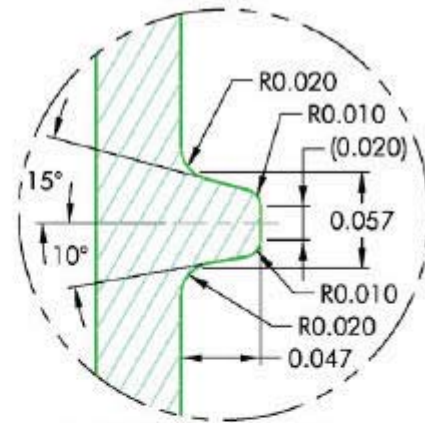
Supplied By: **The Cary Company**

Ph: 630-629-6600

www.thecarycompany.com



GLASS THREAD DETAIL  
SCALE 10 : 1



PLASTIC THREAD DETAIL  
SCALE 10 : 1

MATERIAL	TOLERANCE
PP / PE	$\pm 0.010$
PET	$\pm 0.006$
GLASS	$+0.012 / -0.013$

NOTES: (UNLESS OTHERWISE SPECIFIED)  
 1. ALL DIMENSIONS ARE IN INCHES.  
 2. TOLERANCE ON ALL DIMENSIONS GIVEN BY CHART.

#	DATE	DESCRIPTION	BY
00.00.00			

PITCH (TPI): 6	# OF TURNS: 1-1/4	MATERIAL: PER CHART
DRAWING #: 33-400-FINISH		
DESCRIPTION: FINISH FOR USE WITH PCI 33-400 CLOSURES		
FILE: 33-400-FINISH.dwg	SCALE: 8 : 1	
DRAWN BY: BEZ	DATE: 12.19.97	APPRVD BY: LRE
	REV: 0	BF