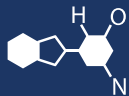


IF YOU...



MIX IT. FILL IT. PACK IT. SHIP IT.

WE HAVE A **PRODUCT** FOR YOU

Part #: 68WFSW

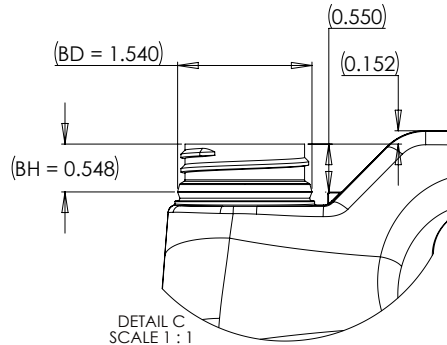
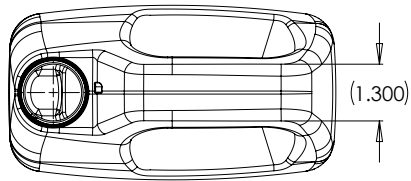
Plastic F-Style Bottles

1 Gallon White HDPE Plastic F-Style Bottle w/Window Stripe,
38mm 38-400, 142 Grams

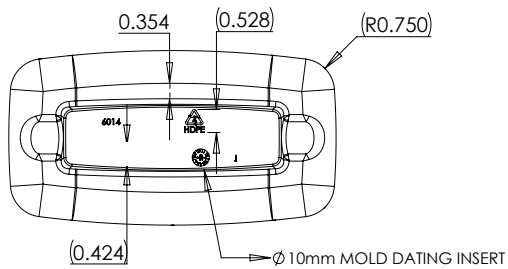
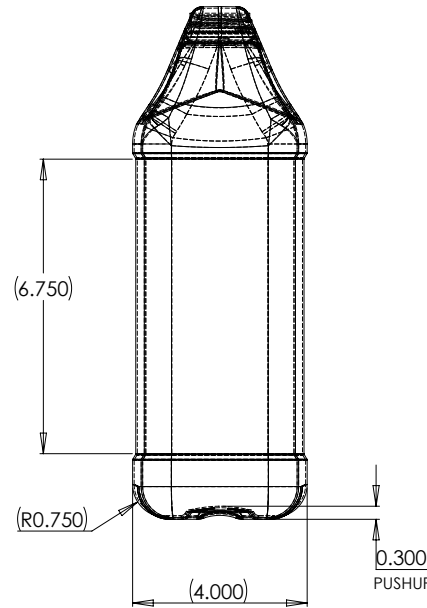
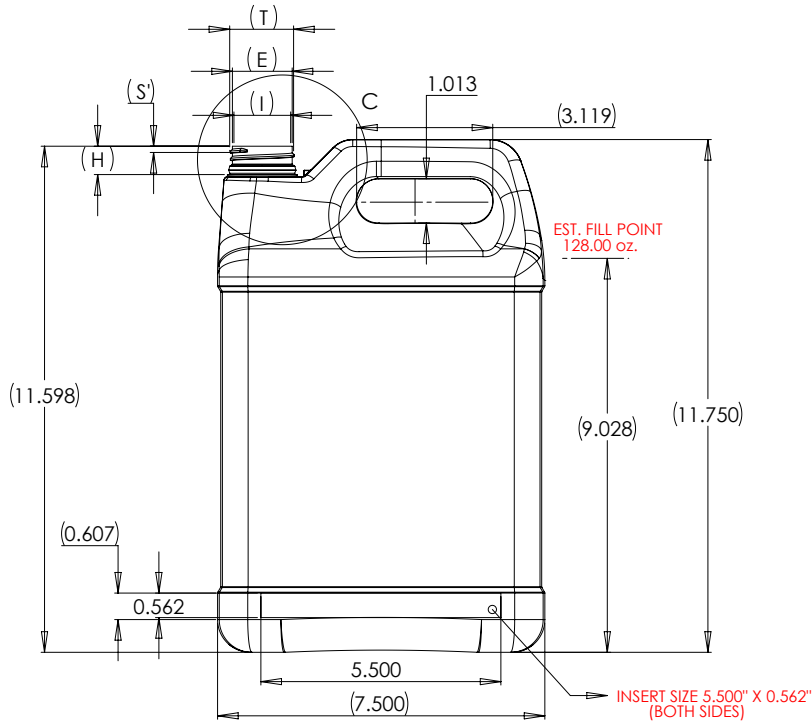


The
CARYCOMPANY
Est. 1895

1195 W. Fullerton Ave. | Addison, IL 60101 | T: 630.629.6600 | F: 630.629.3690 |



SYM.	DATE	REVISIONS



Weight 142 ± 3 GRAMS
EST. OVERFLOW 144.08 oz.

38 mm NBO NECK FINISH

SYM.	MAX.	MIN.
T	1.476	1.452
E	1.382	1.358
H	0.665	0.635
S'	0.158	0.128
I	0.000	0.987
BH	0.563	0.533
BD	1.552	1.528

TOLERANCES	REVISIONS		
	NO.	DATE	BY
DECIMAL ± .000			
HEIGHT ± .080			
WIDTH&DEPTH ± .120			

The
CARY COMPANY
Est. 1893

DRAWN BY MW	DATE 6.15.20	MATERIAL HDPE
REDRAWN BY	DATE 000000	DRAWING NO.
CHK'D BY	SCALE 1-2	6014-050