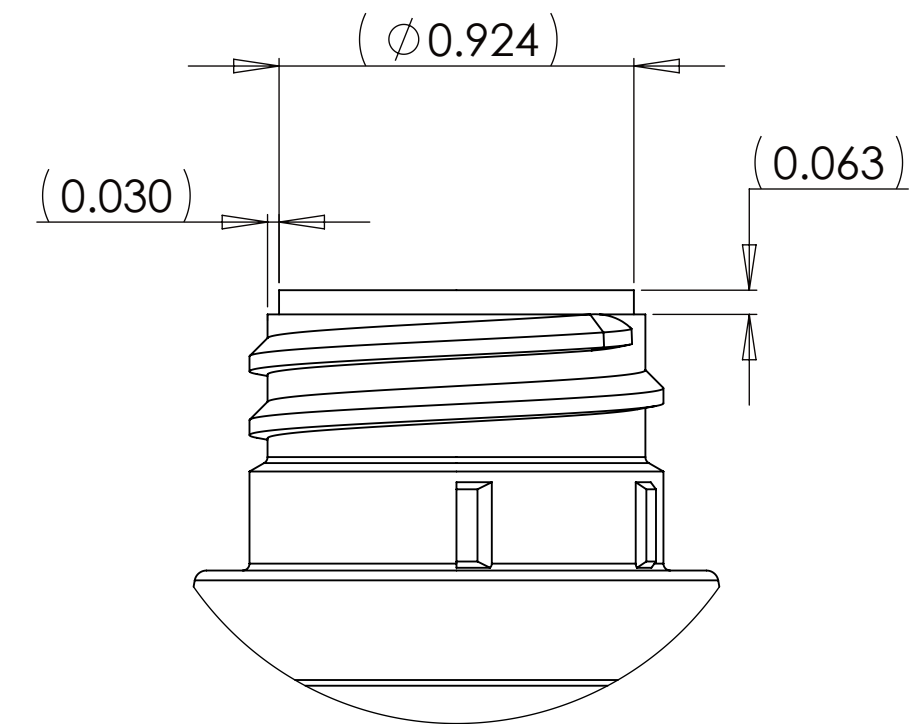


SYM.	DATE	REVISIONS
1	7.19.00	RAISED "S" DIM FOR K2K CAP.
2	10.5.00	RAISED "H" & "S" DIM FOR K-5 CAP.
3	12.4.01	CHANGED TO K2K NECK & RAISED "H".
4	5.10.07	REDRAWN IN SOLIDWORKS.



K2K NECK FINISH		
SYM.	MAX.	MIN.
T	1.088	1.068
E	0.994	0.974
H	0.740	0.720
S	0.070	.055
I	0.810	0.770
RATCHET DIA	1.152	1.132

TOLERANCES	REVISIONS		
	NO.	DATE	BY
DECIMAL ±.000	1	7.19.00	MW
HEIGHT ±.060	2	10.05.00	MW
WIDTH&DEPTH ±.120	3	12.04.01	MW
	4	5.10.07	MW

**1LITER SLANT HANDLE**  
 The **CARY COMPANY** Est. 1895  
 DRAWN BY **CCA** DATE **9.2.99** MATERIAL **HDPE**  
 REDRAWN BY **MW** DATE **5.10.07** DRAWING NO.  
 CHK'D SCALE **1-1** **5179-050**