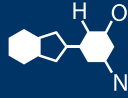


IF YOU...

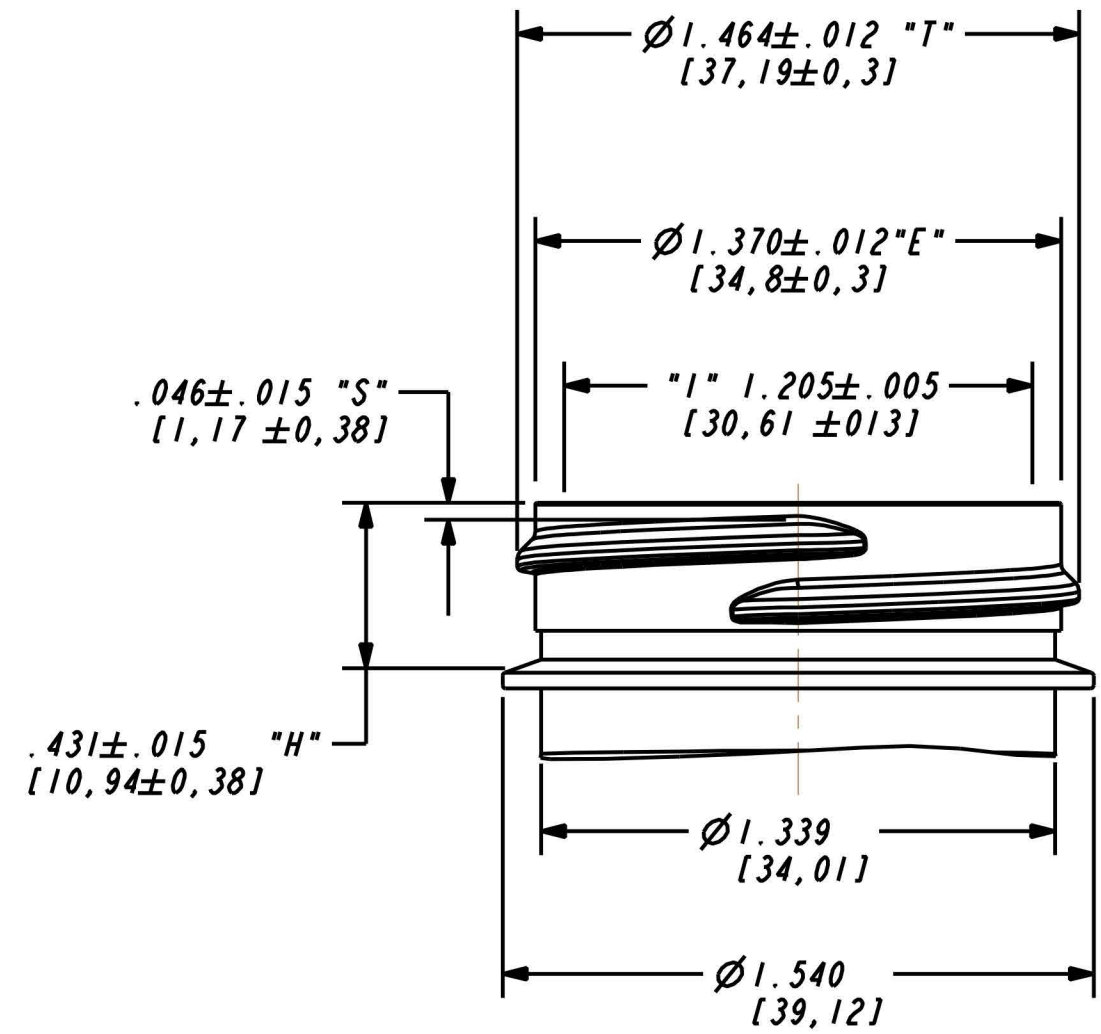
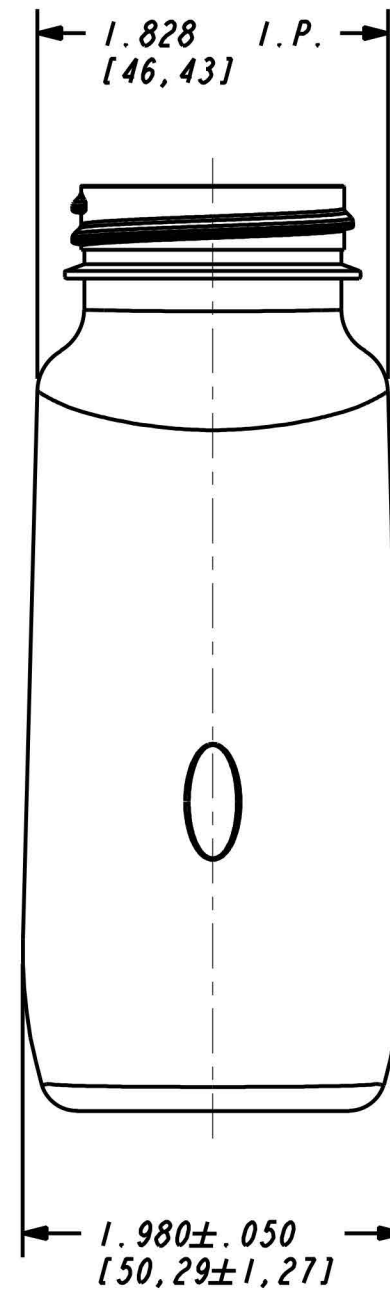
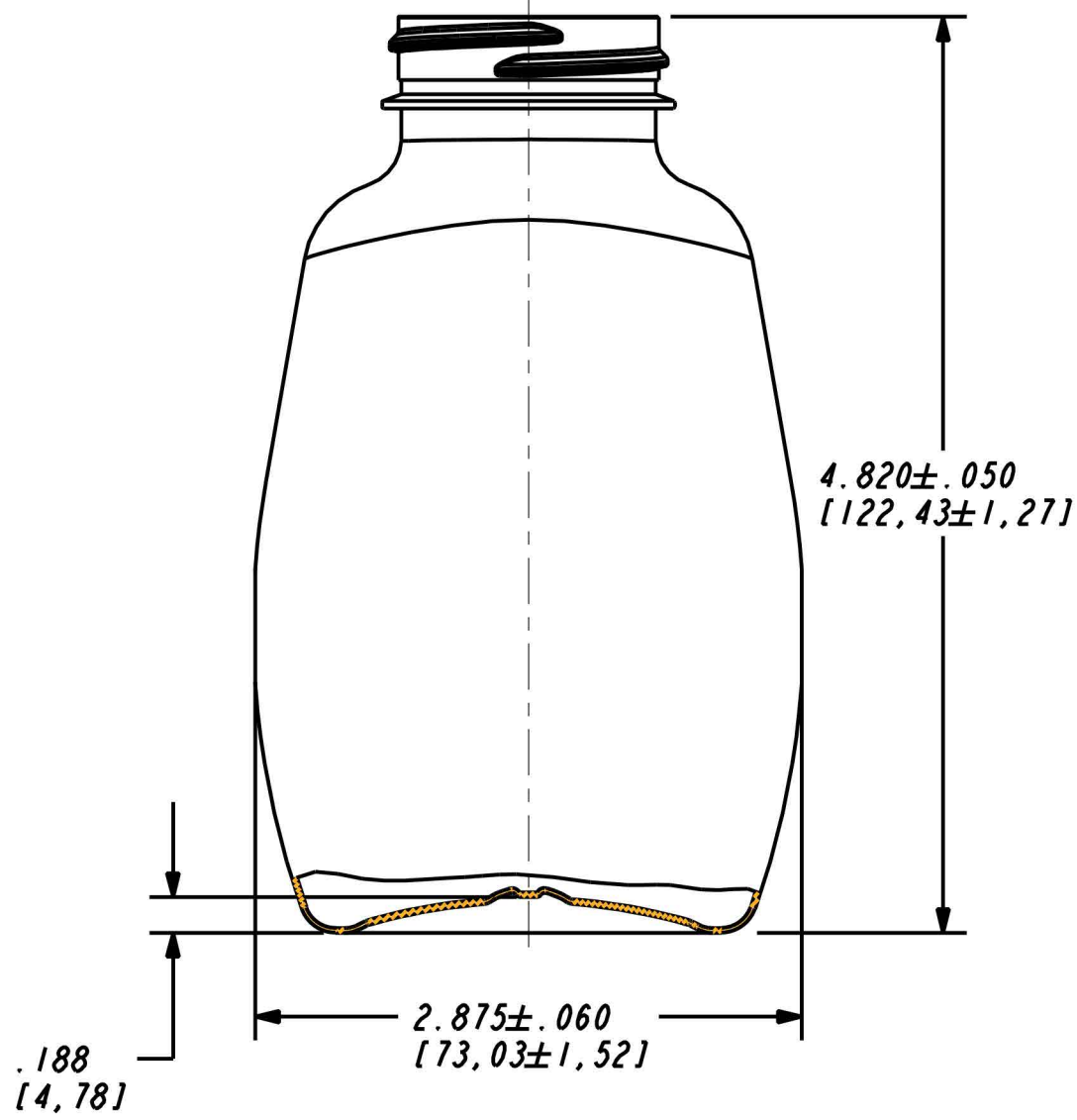
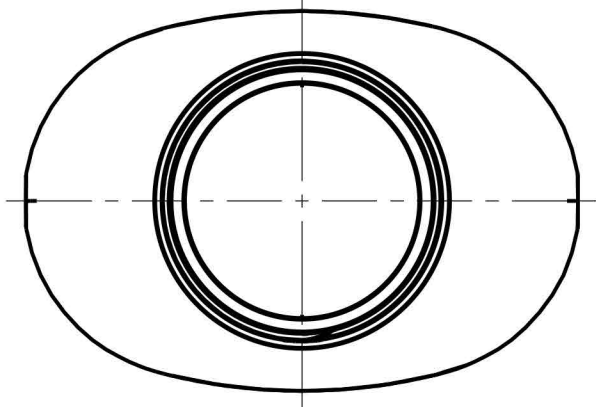


MIX IT. FILL IT. PACK IT. SHIP IT.

WE HAVE A PRODUCT FOR YOU



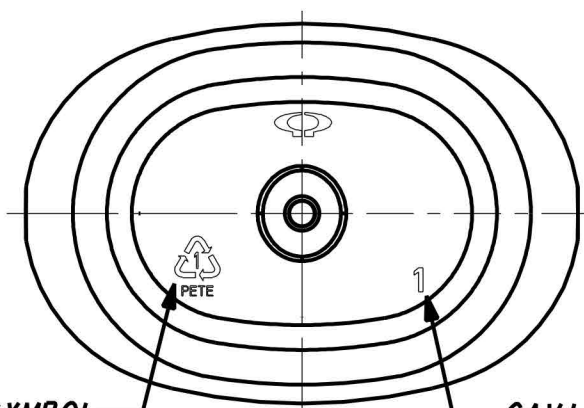
Part #	68WM09
Capacity	9 oz.
Overflow Capacity	266 ml. (9 oz.)
Color	Clear
Material	PET
Dimensions	1.980"L x 2.875"W x 4.820"H
Neck Finish	38-400
Neck Width	38mm
BPA Free	Yes
FDA Approved	Yes
Case Pack	280 ea.
Pallet Pack	4,480 ea. (16 Cases)
Industries	Food & Beverage



DETAIL A
M38-400 SPECIAL NECK FINISH
6 T.P.1 X 1.0 FULL THD. TURN
SCALE 2:1



UNCONTROLLED COPY



RECYCLE SYMBOL CAVITY NUMBER

REPLACES PPI DRAWING NUMBERS 106806-C & 108022-A

NPD #		DISCLAIMER:				Revisions		Scale: 1:1		Drawn By: J. ZITZMAN		Date: Jun-04-12	
All measurements are in inches, [mm]	Color	Min. Thk	Weight	Overflow Volume									
		.008	23.7 ± 1.0g	266.0 ± 7.0cc									
		.008	19.5 ± 1.0g	269.5 ± 7.0cc									
Tolerance: Where not shown	NECK FINISH	M38-400											
Decimal ±0.05 [1,27] Angular ±	MATERIAL:	PET											
													9 OZ. OBLONG M38-400, CT, [266] B
													Approved By: Drawing NO: PO266XBTM038A