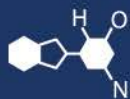


IF YOU...



MIX IT. FILL IT. PACK IT. SHIP IT.

WE HAVE A **PRODUCT** FOR YOU

Part #: 68WM16



The
CARYCOMPANY
Est. 1895

1195 W. Fullerton Ave. | Addison, IL 60101 | T: 630.629.6600 | F: 630.629.3690 |

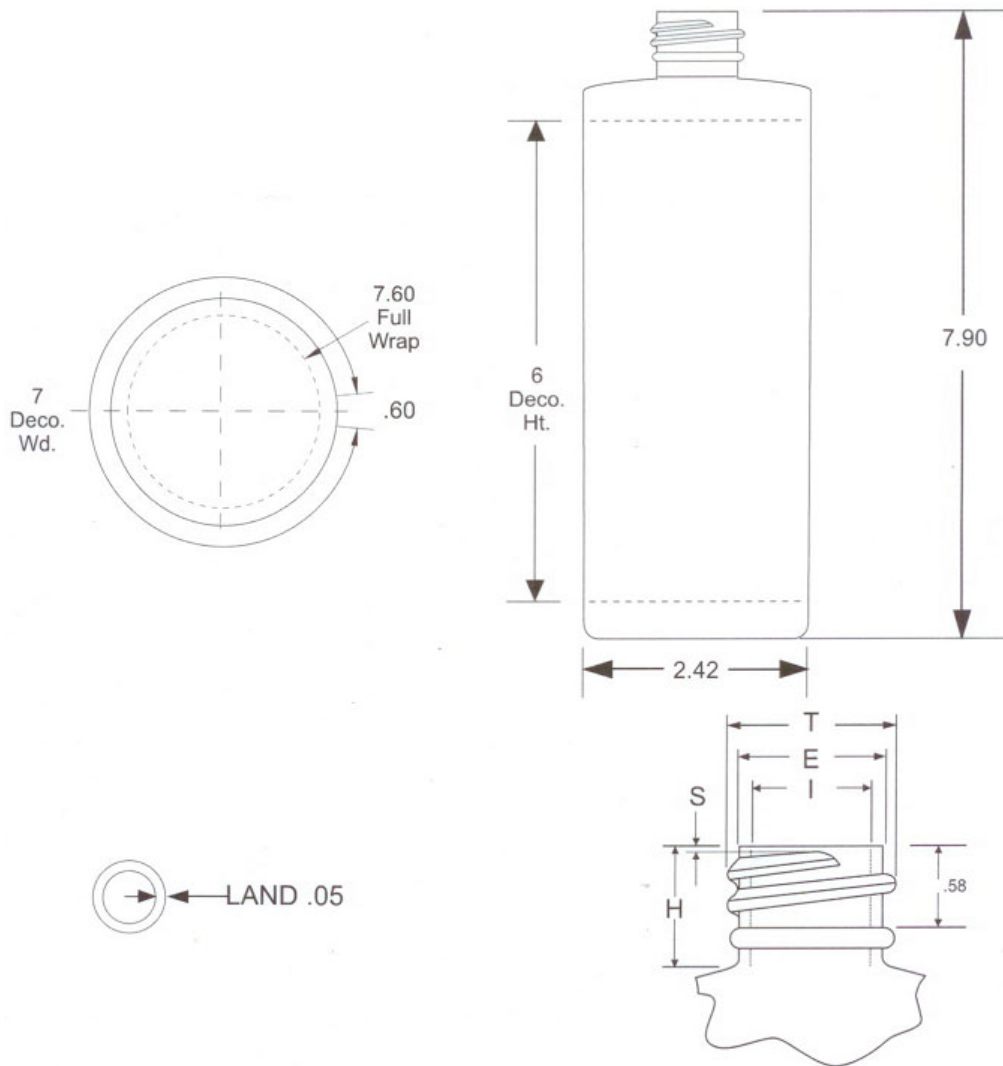
The CARY COMPANY

Est. 1895

Bottle: 68WM16

Weight: 35+/-1gm

Walls: .020-.050



Neck	T		E		I		H		S		Drawing #
	MAX	MIN	MAX	MIN	MAX	MIN	MAX	MIN	MAX	MIN	
28/410	1.088	1.068	.994	.974	.790	.770	.723	.693	.061	.031	071904 Rev. A