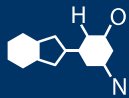


IF YOU...



MIX IT. FILL IT. PACK IT. SHIP IT.

WE HAVE A PRODUCT FOR YOU

Part #68WNA4

Plastic Chemical Jugs
(Industrial Rounds & Squares)

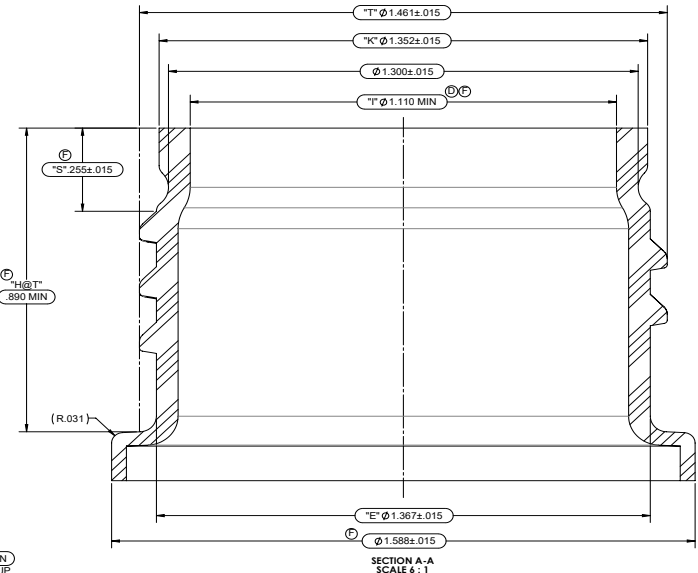
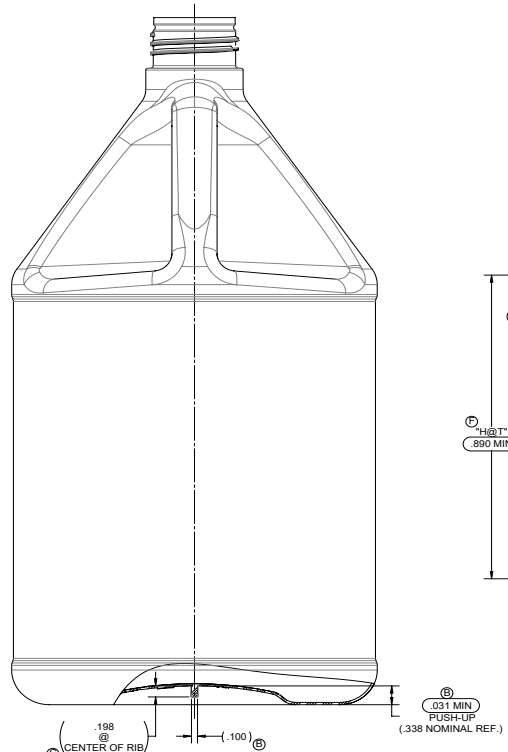
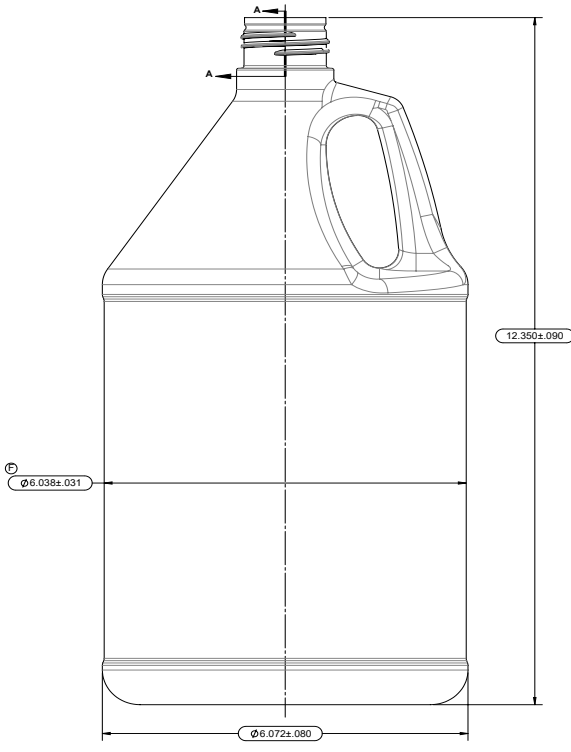
1 Gallon Natural HDPE Plastic Round Jug w/Buttress Cap, 38mm 38-439, UN Rated, Large Label Panel, 4x1 White Re-Shipper Carton



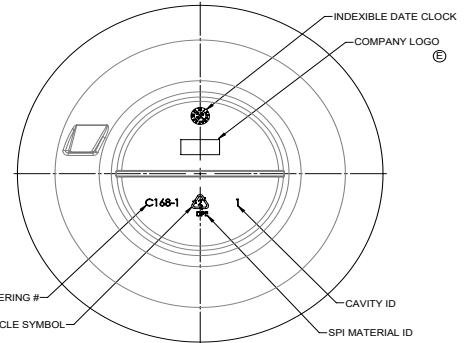
The
CARYCOMPANY
Est. 1895

PRODUCTION RELEASE

LET	REVISION DESCRIPTION	BY	ECN #	DATE
A	INITIAL RELEASE	KRM	6827234	7/27/2018
B	REVISED PUSH-UP GEOMETRY (.338 NOMINAL REF.) WAS (.219), 3981.0ccc+44.0cc WAS 3988.0ccc+44.0cc. ADDED (.100) DIM	KRM	6827234-1	8/10/2018
C	ADDED (.198 @ CENTER OF RIB) DIM	KRM	6827234-1	8/11/2018
D	*T01.137±.015 WAS T01.110 MIN	KRM	6827234-1	8/15/2018
E	UPDATED DRAWING TEMPLATE, UPDATED NOTES, MOVED MIN WALL THICKNESS SPECS AND MAX NECK FINISH OVALITY TO PART DATA TABLE, UPDATED COMPANY LOGO CALLOUT	ZMB	RCT160291	4/9/2018
F	Ø6.038±.031 WAS (Ø6.012); Ø1.588±.015 WAS (Ø1.815); *S* 255±.015 WAS *S* 250±.015; *H* .890 MIN WAS *H* .898 MIN; *T*Ø1.110 MIN WAS *T*Ø1.137±.015; UPDATED MOLD # & S&S CODE; REVISED PART DATA TABLE; ADDED WALL THICKNESS SPECS	KRM	6827234-3	7/12/2019



SECTION A-A
SCALE 6 : 1



MOLD #9106

PART DATA	
MATERIAL	HDPE
NECK FINISH	38-49P CUSTOM
NECK FINISH OVALITY (REF. NOTE #3)	Ø.034 MAX
WEIGHT	1350.0g ± 6.5g
OVERFLOW CAPACITY	Ø81.00x1.445cc
WALL THICKNESS, TOP SHOULDER @ 0°	Ø.082 MIN
WALL THICKNESS, TOP SHOULDER @ 90°	Ø.078 MIN
WALL THICKNESS, TOP SHOULDER @ 180°	Ø.055 MIN
WALL THICKNESS, TOP SHOULDER @ 270°	Ø.055 MIN
WALL THICKNESS, MIDDLE SHOULDER @ 0°	Ø.080 MIN
WALL THICKNESS, MIDDLE SHOULDER @ 90°	Ø.080 MIN
WALL THICKNESS, MIDDLE SHOULDER @ 180°	Ø.080 MIN
WALL THICKNESS, MIDDLE SHOULDER @ 270°	Ø.080 MIN
WALL THICKNESS, BOTTOM BUMPER	Ø.018 MIN
HEEL RADIUS	Ø.018 MIN
HEEL	Ø.022 MIN
WALL THICKNESS, PANEL	Ø.018 MIN

REFERENCE DIMENSIONS ARE NOT INDICATED AND NO TOLERANCE APPLIED. INSPECTOR DIMENSIONS ARE OBTAINED WITH TOLERANCE.

THIS DRAWING IS NOT A CONTROLLED DOCUMENT IF PRINTED OR COPIED FROM THE APPROVED LOCATION.

CONFIDENTIAL

THIS UNCLASSIFIED WORK IS THE PROPERTY OF BERRY GLOBAL, INC. AND IS PROTECTED BY TRADE SECRECY, COPYRIGHT AND OTHER RIGHTS. NO PART OF THIS DOCUMENT IS TO BE REPRODUCED OR TRANSMITTED IN ANY FORM OR BY ANY MEANS, ELECTRONIC OR MECHANICAL, INCLUDING PHOTOCOPYING, RECORDING, OR BY ANY INFORMATION STORAGE AND RETRIEVAL SYSTEM.

DESCRIPTION	1 GALLON CUSTOM HANDLEWARE	CUSTOMER
DRAWING NO.	CP-100034-PRTO2	PROJECT NUMBER
DESIGNED BY	K MCWILLIAMS	DATE
DATE	07/26/16	SCALE
1 of 1		D