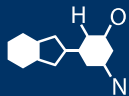


# IF YOU...



MIX IT. FILL IT. PACK IT. SHIP IT.

# WE HAVE A **PRODUCT** FOR YOU

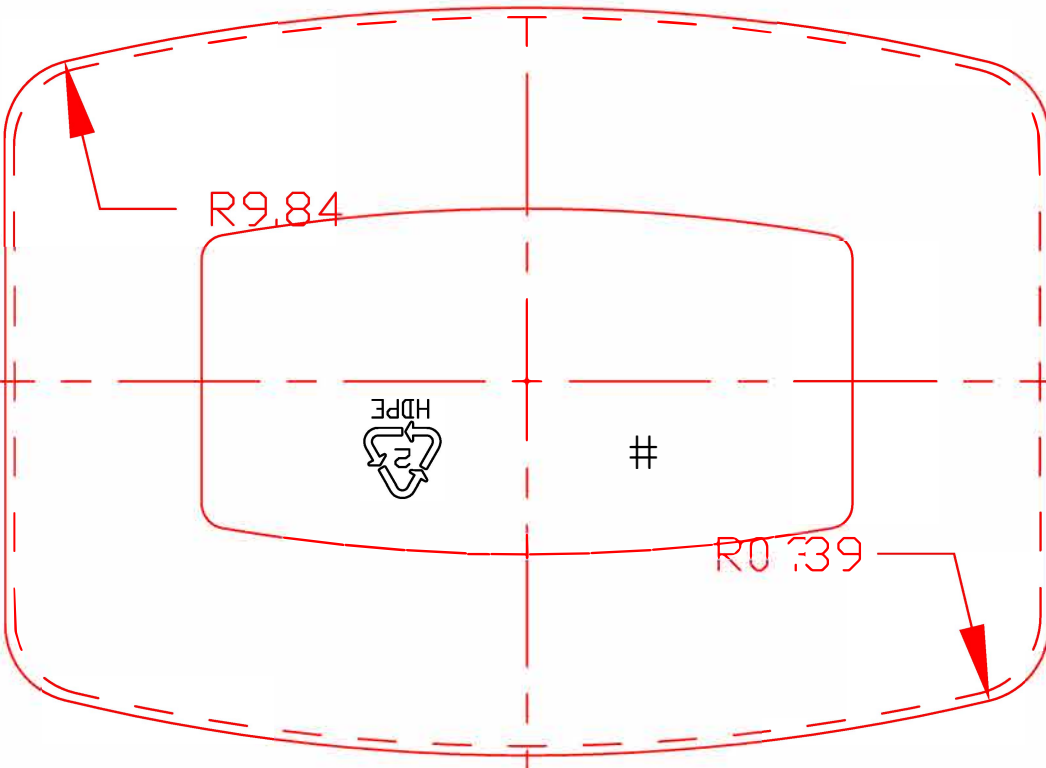
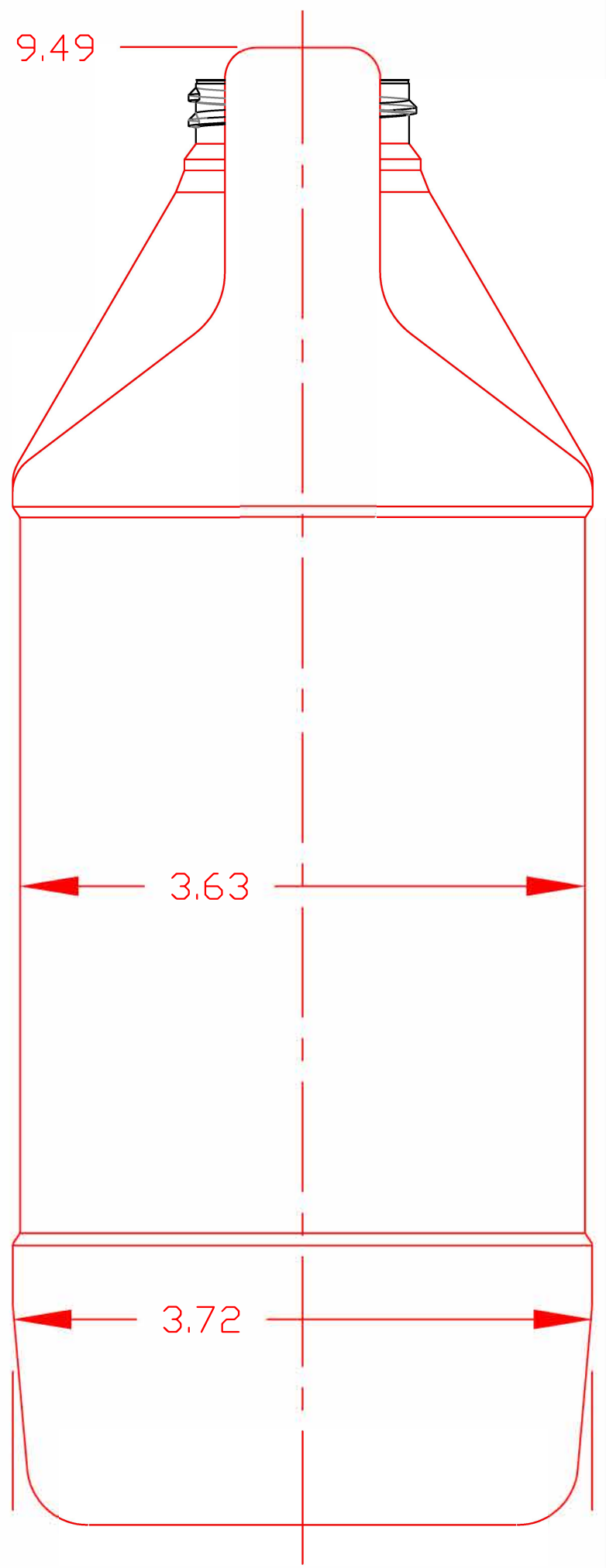
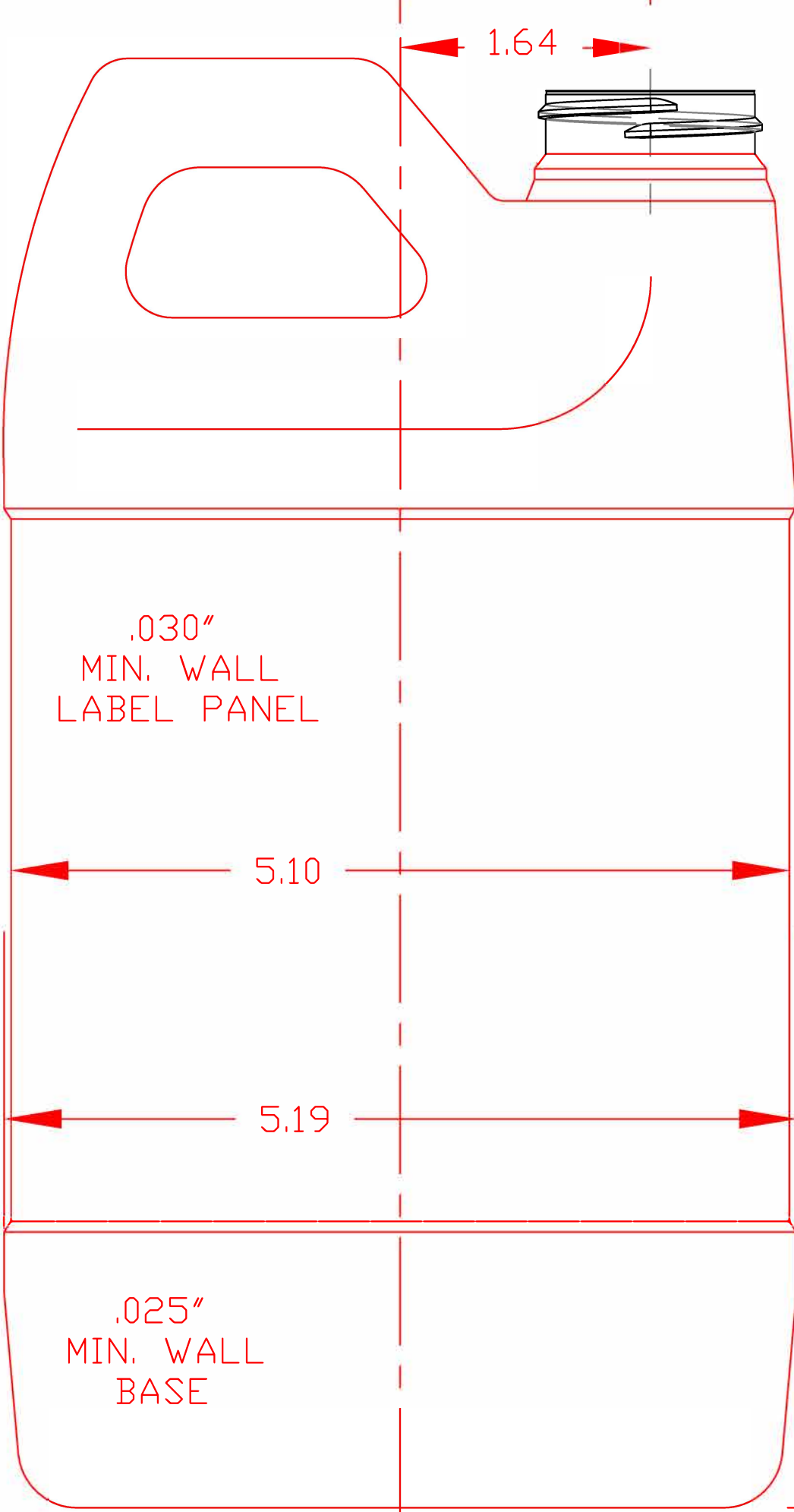
Part # 68WNF2

---

1/2 Gallon Natural HDPE Plastic F-Style Bottle,  
38mm 38-400

---





"T" DIM. 1.452-1.476  
 "E" DIM. 1.358-1.382  
 "S-1" DIM. .125-.155  
 WEIGHT 90gm  
 OVERFLOW 2121ml +/-24

The  
**CARY COMPANY**  
 Est. 1895

|   |                                       |             |                |
|---|---------------------------------------|-------------|----------------|
| TOLERANCES<br>(UNLESS OTHERWISE<br>SPECIFIED)<br><br>AS PER<br><br>S.P.I.<br><br>SPECS. | COMPANY:                              |             |                |
|   | TITLE: 2 LITER "F" STYLE<br>38 mm SPH |             |                |
|   | DRN. BY: D.U.                         | SCALE: FULL | DATE: 12/26/01 |
|   | CHK'D. BY:                            | DRAWING NO: | REV:           |
|   | MATERIAL: HDPE                        |             |                |

| NO. | REVISION DESCRIPTION | BY | DATE |
|-----|----------------------|----|------|
|     |                      |    |      |