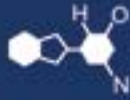


# IF YOU...



MIX IT. FILL IT. PACK IT. SHIP IT.

# WE HAVE A **PRODUCT** FOR YOU

Part #: 68WNGB

---

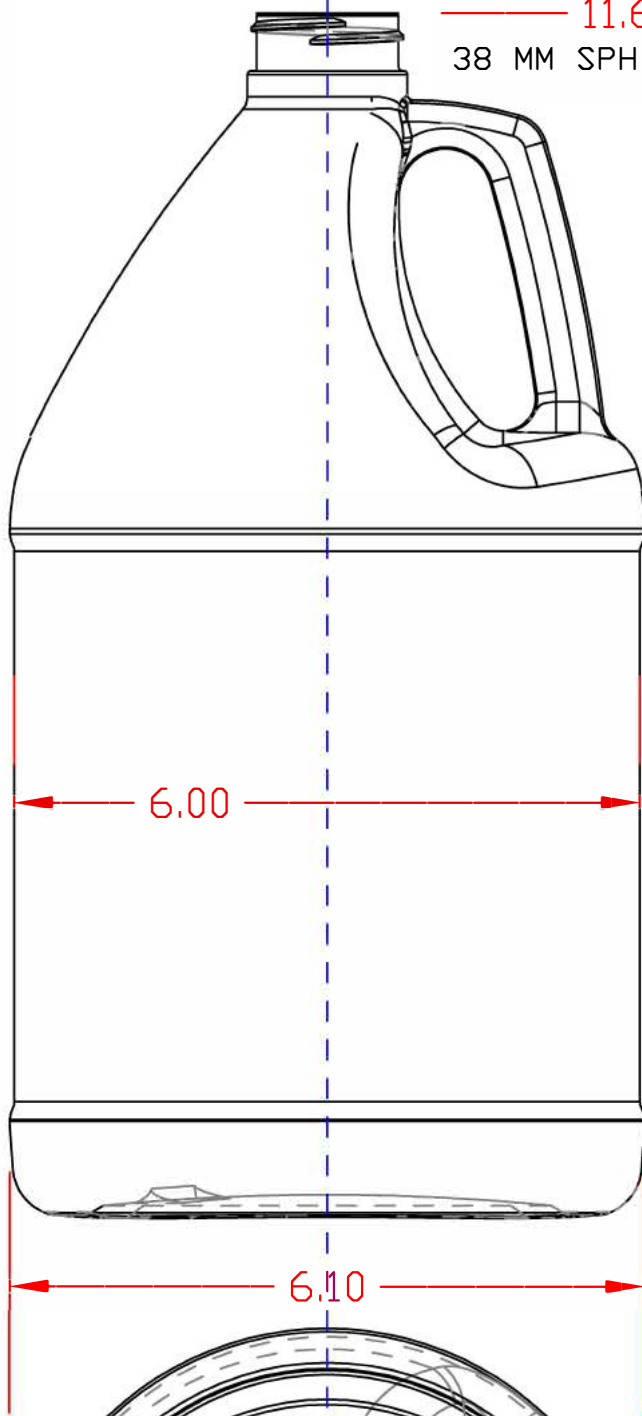
---



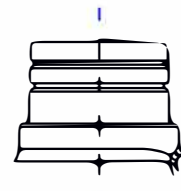
---

The  
**CARY**COMPANY  
Est. 1895

1195 W. Fullerton Ave. | Addison, IL 60101 | T: 630.629.6600 | F: 630.629.3690 |



11.64 O.A.H.  
38 MM SPH



11.90 O.A.H.

PORTOLA  
38 LT

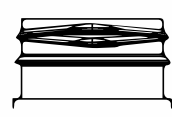
6.48



11.76 OAH

REXAM 38-NB0 NECK

6.00



11.85 OAH

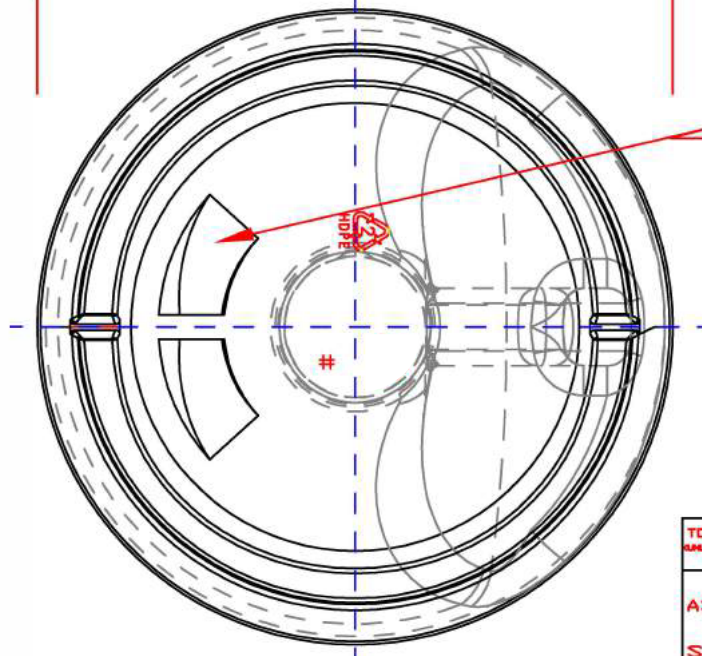
38TEC  
(BERRY 38MM PLASTOP)

1.13

0.00

6.10

.38" WIDE X .110" DP INDEXING LUGS  
ON A 1.5" CENTERLINE RADIUS



TOLERANCES UNLESS OTHERWISE SPECIFIED	COMPANY: <b>The CARY COMPANY</b> Est. 1995		
AS PER	TITLE: ONE GALLON HANDLEWARE ROUND		
S.P.I.	DRN. BY: D.U.	SCALE: FIT	DATE: /05/02
SPECS.	ORIG. BY: B/S/B/S	DRAWING NO: 128IR	REV: None
	MATERIAL: HDPE		

NO.	REVISION DESCRIPTION	BY	DATE