

IF YOU...



MIX IT. FILL IT. PACK IT. SHIP IT.

WE HAVE A PRODUCT FOR YOU

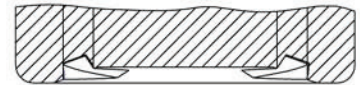
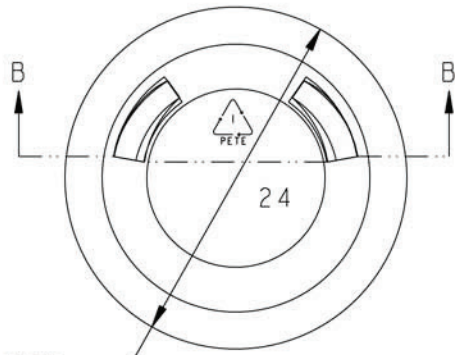
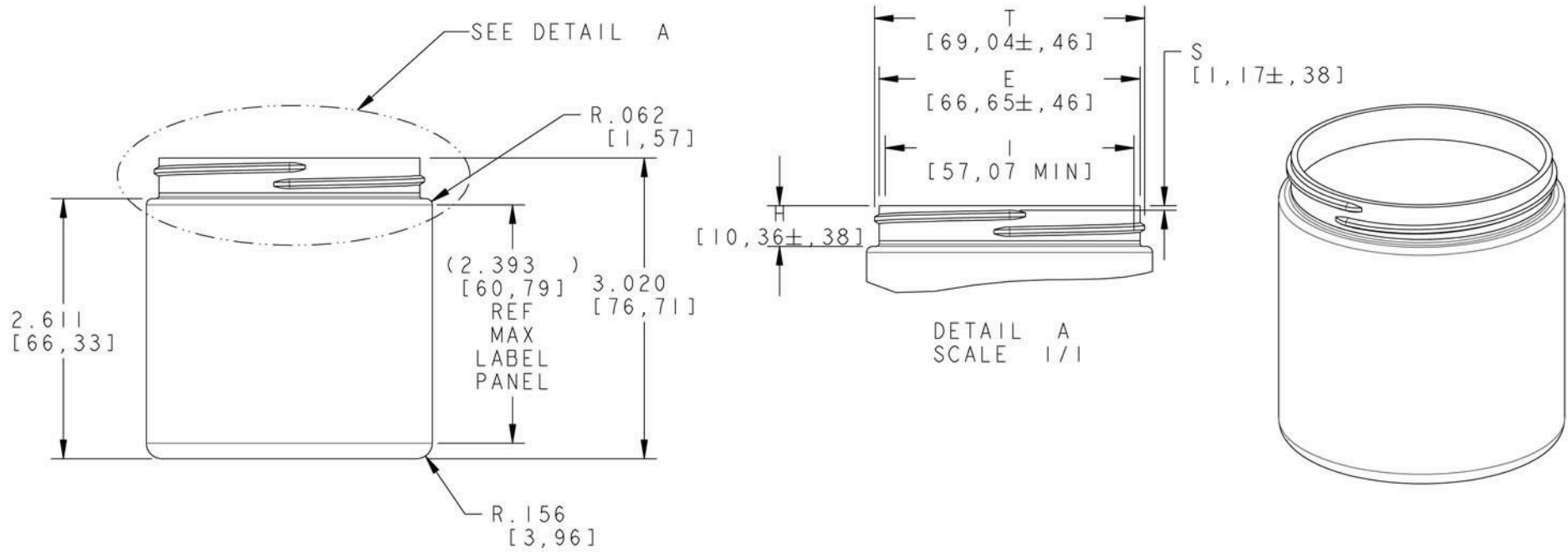


Part #	68WPO8
Capacity	8 oz.
Overflow Capacity	286 ml. (9.67 oz.)
Color	Clear
Material	PET
Label Panel Dimensions	2.393"H
Neck Finish	70-400
Neck Width	70mm
BPA Free	Yes
FDA Approved	Yes
Case Pack	320 ea.
Pallet Pack	4,800 ea.





Supplied By: **The Cary Company**
 Ph: 630-629-6600
 www.thecarycompany.com



SECTION B-B

Ø2.875
[73,03]

'M' STYLE THREADS ARE AVAILABLE ONLY IN THE NETHERLANDS.

Neck Finish: L7OSP400 M7OSP400									
All measurements are in inches, [Metric]	Min Thk	Color	Weight	Std. Pack	Revisions		68WP08		
	.009[.23]	All Colors	21.5 Gms±1.5	320,Stack	F Add [Metric],04/26/11,scf				
	.010[.24]	All Colors Heavy Gram	23.8 Gms±1.5	320,Stack			Scale:	Drawn By: SCT	Date: 1-03-03
Neck Dimensions:						Tolerance: Where not shown Decimal ±0.05 [1,27] Angular ±1°		8oz JAR, PET, 70-400 CT	
T = 2.718±.018 E = 2.624±.018 H = .408±.015 I = 2.247 MIN S = .046±.015						Material: PET		Approved By: SJ	
		Overflow Capacity: 286 ml ± 7						Drawing NO: 8JRISS70L400	