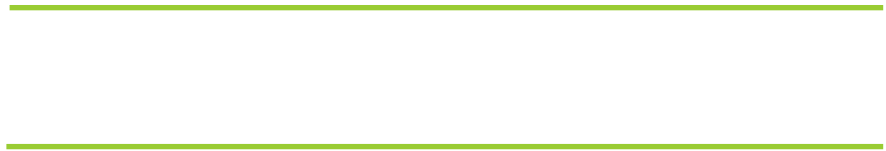


IF YOU...



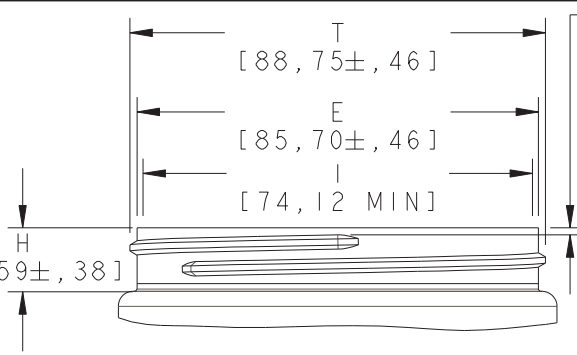
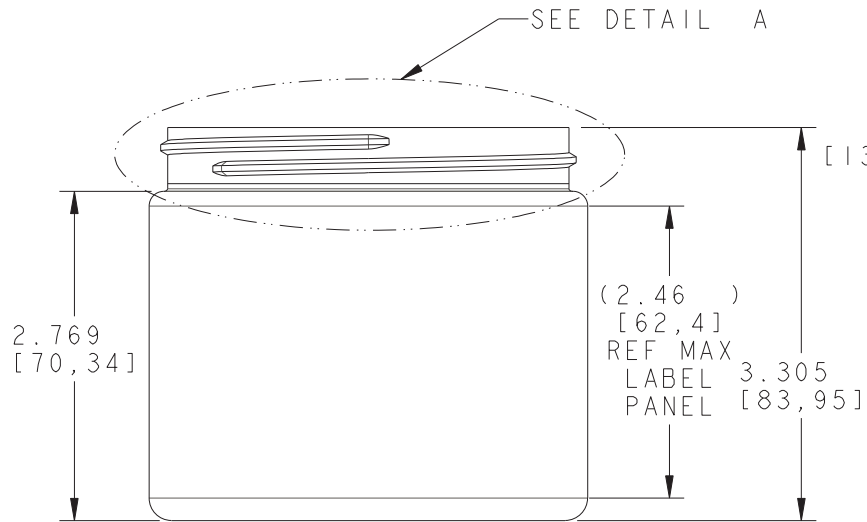
MIX IT. FILL IT. PACK IT. SHIP IT.

WE HAVE A PRODUCT FOR YOU



Part #	68WP16
Capacity	16 oz.
Overflow Capacity	522 ml. (17.65 oz.)
Color	Clear
Material	PET
Label Panel Dimensions	2.46"H
Neck Finish	89-400
Neck Width	89mm
BPA Free	Yes
FDA Approved	Yes
Case Pack	245 ea.
Pallet Pack	3,675 ea.



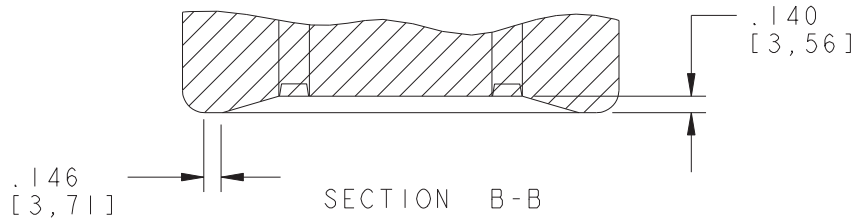
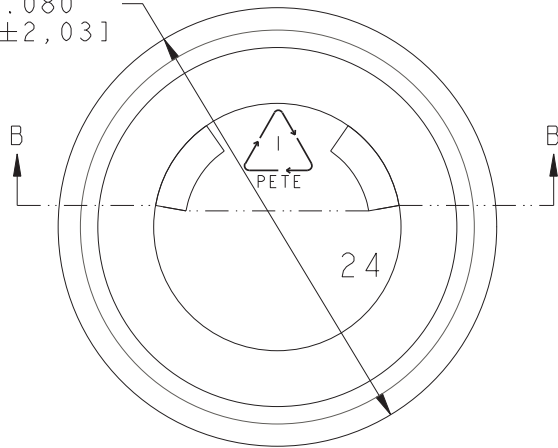


DETAIL A
SCALE 1/1



SCALE 3/4

Ø 3.688±.080
[93,68±2,03]



SECTION B-B

Neck Finish: L89SP400							
All measurements are in inches, [Metric]	Min Thk	Color	Weight	Std. Pack	Revisions		
	.012[.30]	All Colors	39.5 Gms±2	245, Stack	A Gm Wt was 42.5, sct 9/23/03		
Neck Dimensions: T = 3.494±.018 E = 3.374±.018 H = 0.535±.015 I = 2.918 MIN S = 0.060±.015					B Ovf l was 516, 5/13/04 sct		
					C Pack was 144, 6/26/09, sct		
					D ADD METRIC DIM, 12/8/10, sct		
					Tolerance: Where not shown Decimal ±0.05 [1,27] Angular ±1	Scale:	Drawn By: SCT Date: 12-11-02
					Material: PET	16oz WIDE MOUTH JAR, 89-400 CT, PET	
						Approved By: SJ	DwgRev: D Drawing NO: 16JR1SS89L400
Overflow Capacity: 522 ml ± 11							