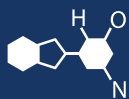


IF YOU...



MIX IT. FILL IT. PACK IT. SHIP IT.

WE HAVE A **PRODUCT** FOR YOU

Part #: 68WPC4

Plastic Wide Mouth Jars

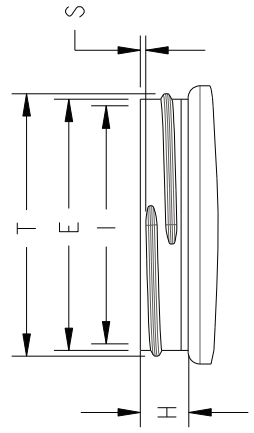
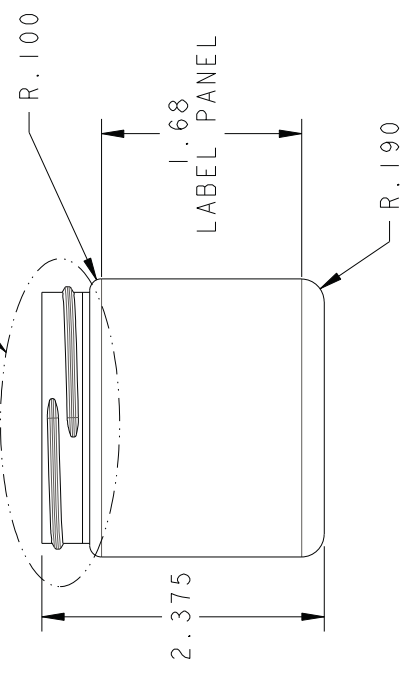
4 oz. Clear PET (100% PCR) Plastic Wide Mouth Jar,
58mm 58-400



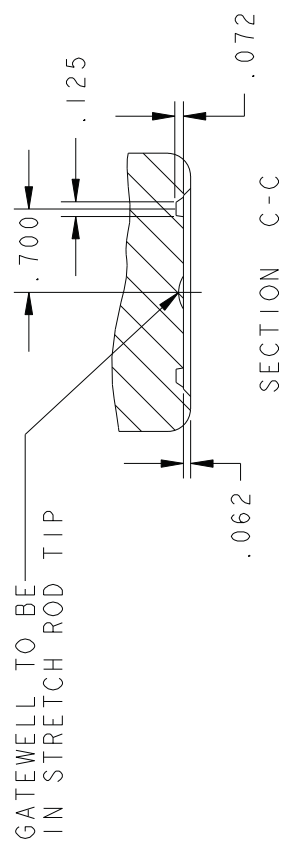
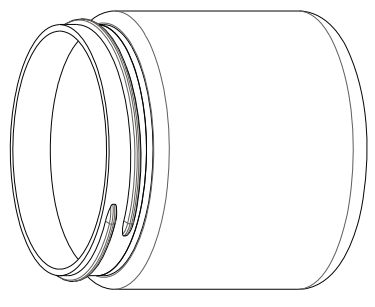
The
CARYCOMPANY
Est. 1895

1195 W. Fullerton Ave. | Addison, IL 60101 | T: 630.629.6600 | F: 630.629.3690 |

SEE DETAIL A

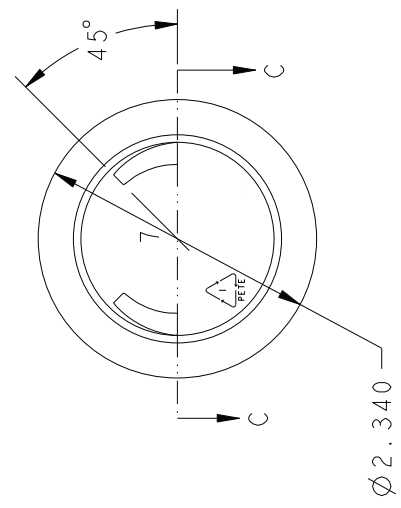


DETAIL A
SCALE 1/1



SECTION C-C

GATEWELL TO BE
IN STRETCH ROD TIP



Neck Finish: L58SP400

Min Thk	Color	Weight	Std. Pack	Revisions
.008	All Colors	18 Gms±2	250, Bulk	
All measurements are in inches				
Neck Dimensions:				
T = 2.206±.018				
E = 2.112±.018				
H = .408±.015				
I = 2.002±.015				
S = .046±.015				
Overflow Capacity: 145 ml ± 5				

PH 630-629-6600 - FX 630-629-3690

 195 W. FULLERTON AVE. - ADDISON, IL 60101

 WWW.THECARYCOMPANY.COM

Scale: _____ Date: 02-20-07

 Drawn By: SCT

 Dwg Rev: _____

118ml JAR, PET,

58-400 CT, (4oz)

Tolerance: Where not shown

 Decimal ±0.050

 Angular ±1°

Material: PET

 Approved By: CGR

 Drawing NO: P0118JRCL058A