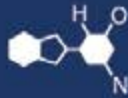


IF YOU...



MIX IT. FILL IT. PACK IT. SHIP IT.

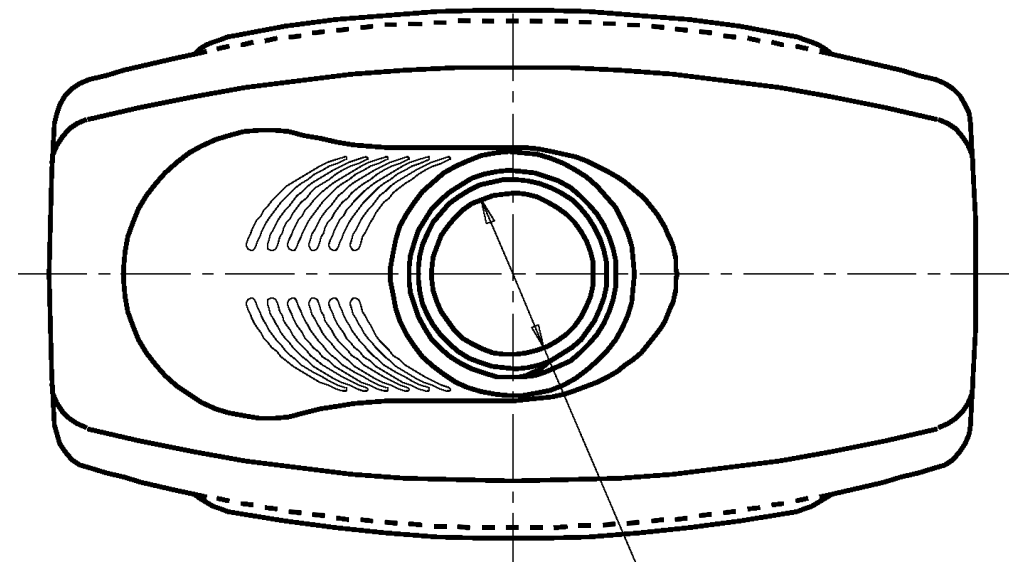
WE HAVE A PRODUCT FOR YOU

Part #: 68WPT3

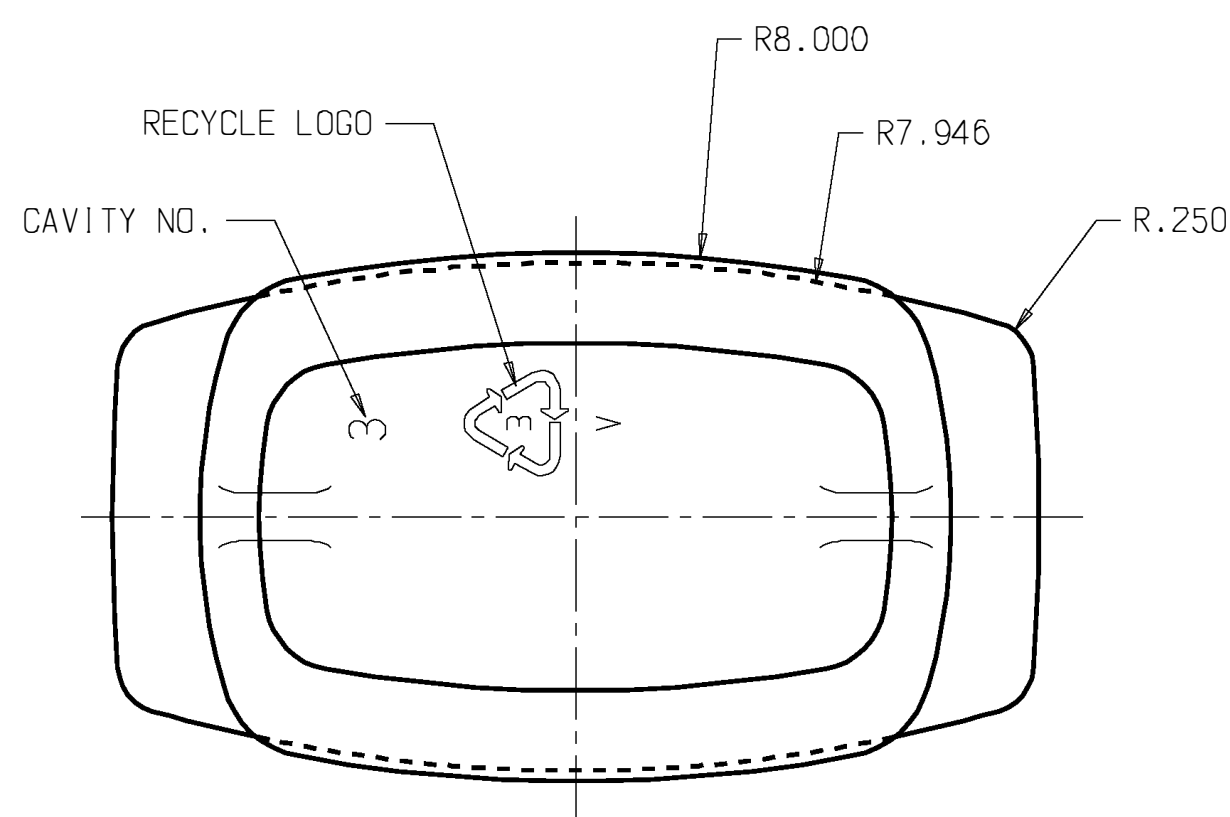
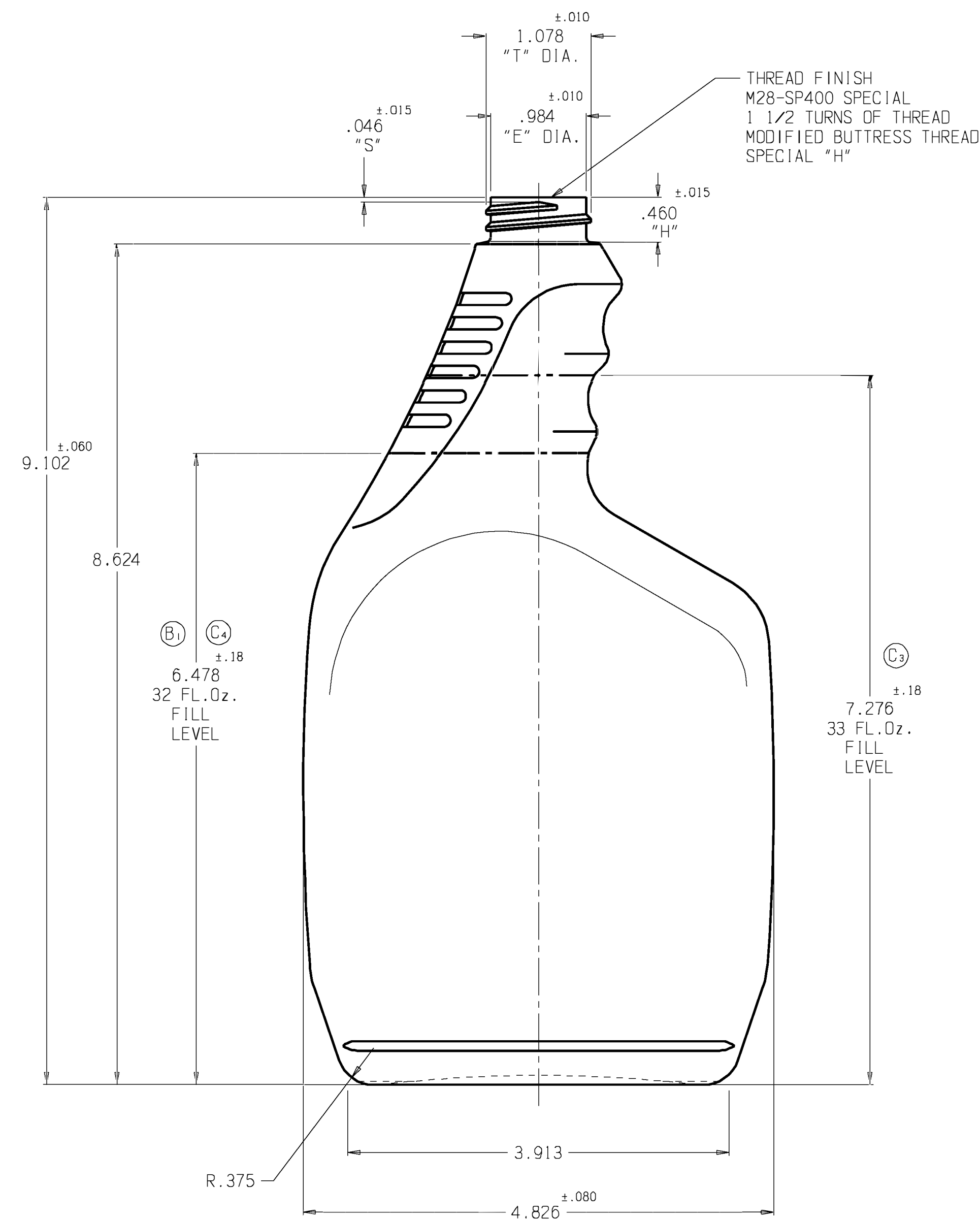
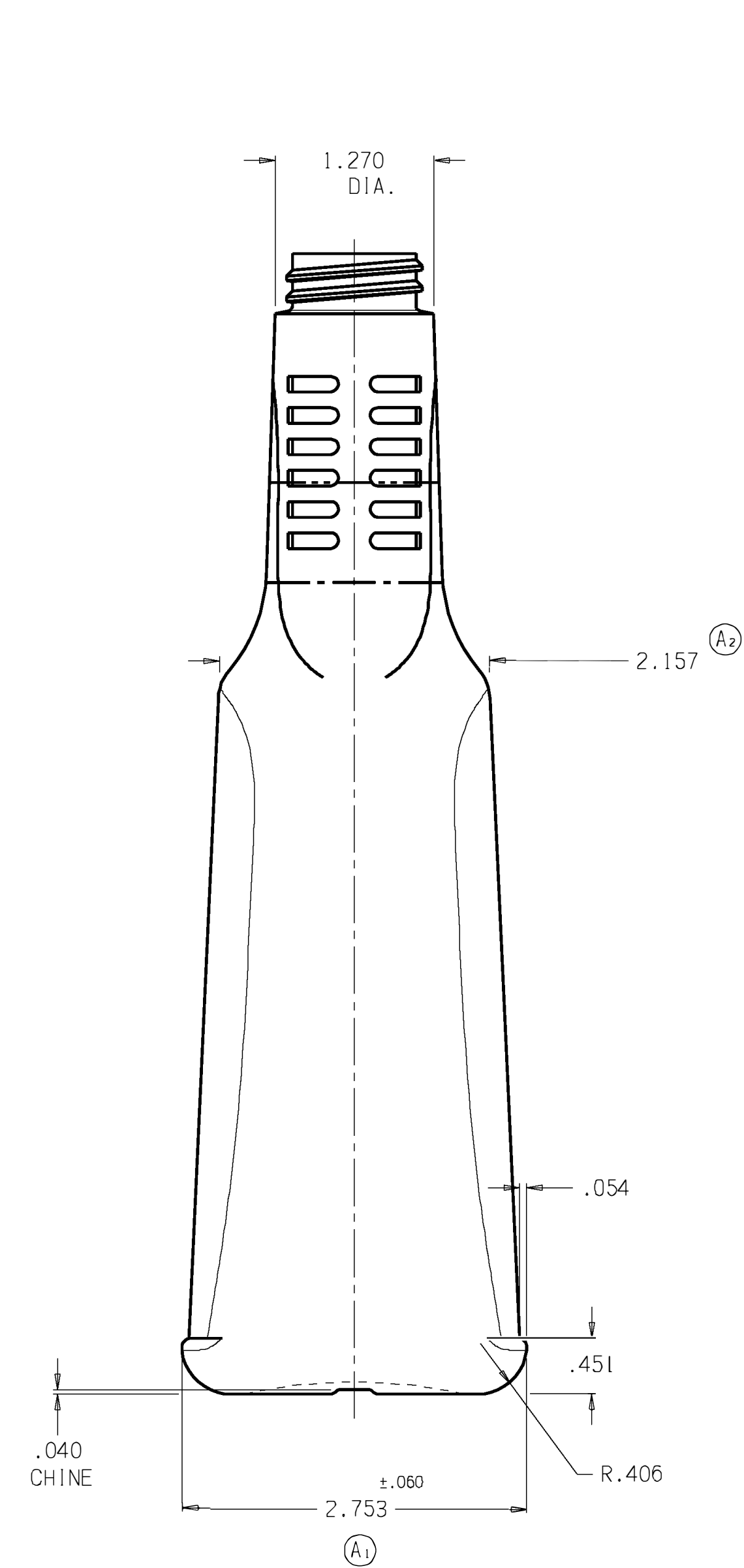


The
CARYCOMPANY
Est. 1895

1195 W. Fullerton Ave. | Addison, IL 60101 | T: 630.629.6600 | F: 630.629.3690 |



.840 MIN. "I" DIA.



NOTES:

- STANDARD SPI TOLERANCES APPLY
- MATERIAL - PVC - 52 Gr. ±2
- OVERFLOW CAPACITY - 1014 cc ±15 (A3) (C1)
 34.29 FL. Oz. ±.51 (A4) (C2)
- EST. BULGE - 10 cc

WKH	BY	DATE	The CARY COMPANY Est. 1895		
8-10-00	8-9-00	8-8-00	TITLE 32/33 Oz. TRIGGER SPRAYER BOTTLE		
CUSTOMER REQUEST TO VERIFY DEC. ADD 33 OZ FILL LEVEL			FOR SMITH CONTAINER		
C1 WAS 1015 cc			RESIN	PVC	MACHINE
C2 WAS 34.33 FL. Oz.			PLD DATE	8-10-00	COMP. FILE 6686-S
C3 WAS 34.33 FL. Oz.			SHEET 1 OF 1		
C4 WAS 35.23 FL. Oz.			TO BE RUN BY:		
REVISED FILL LEVEL			SPRINK	DIA.	HT
B1 WAS 5.962			CHK BY	B. D. S.	DATE 8-3-00
CUSTOMER REQUEST:			DRAWN BY	J. M. J.	DATE 8-3-00
A1 WAS 2.818			DWG. NO. 6686-S		
A2 WAS 2.222			REV		
A3 WAS 1042 cc					
A4 WAS 35.23 FL. Oz.					