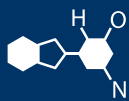


IF YOU...



MIX IT. FILL IT. PACK IT. SHIP IT.

WE HAVE A **PRODUCT** FOR YOU

Part # 68WQFW

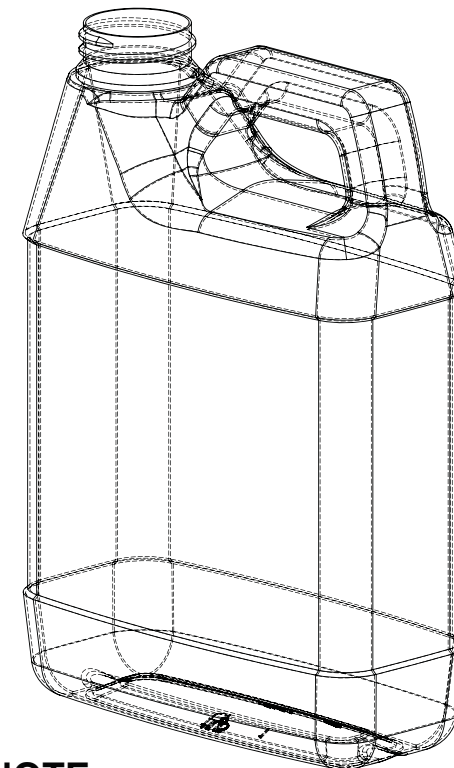
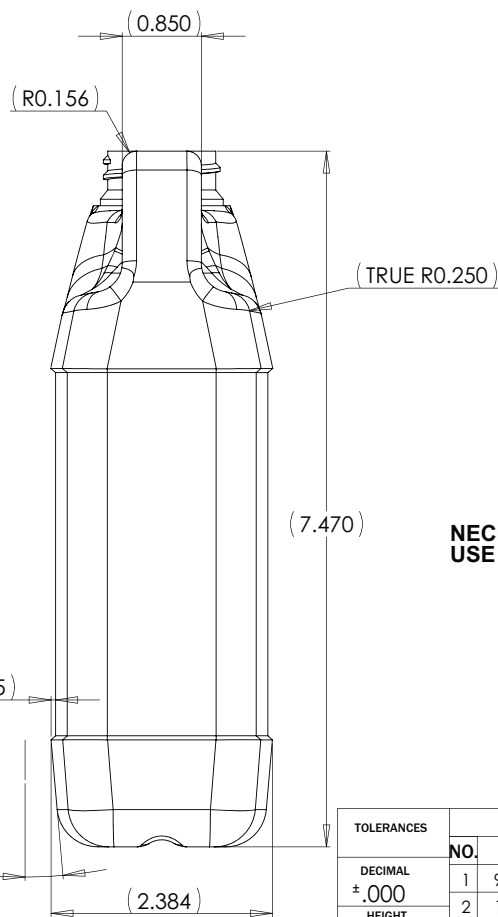
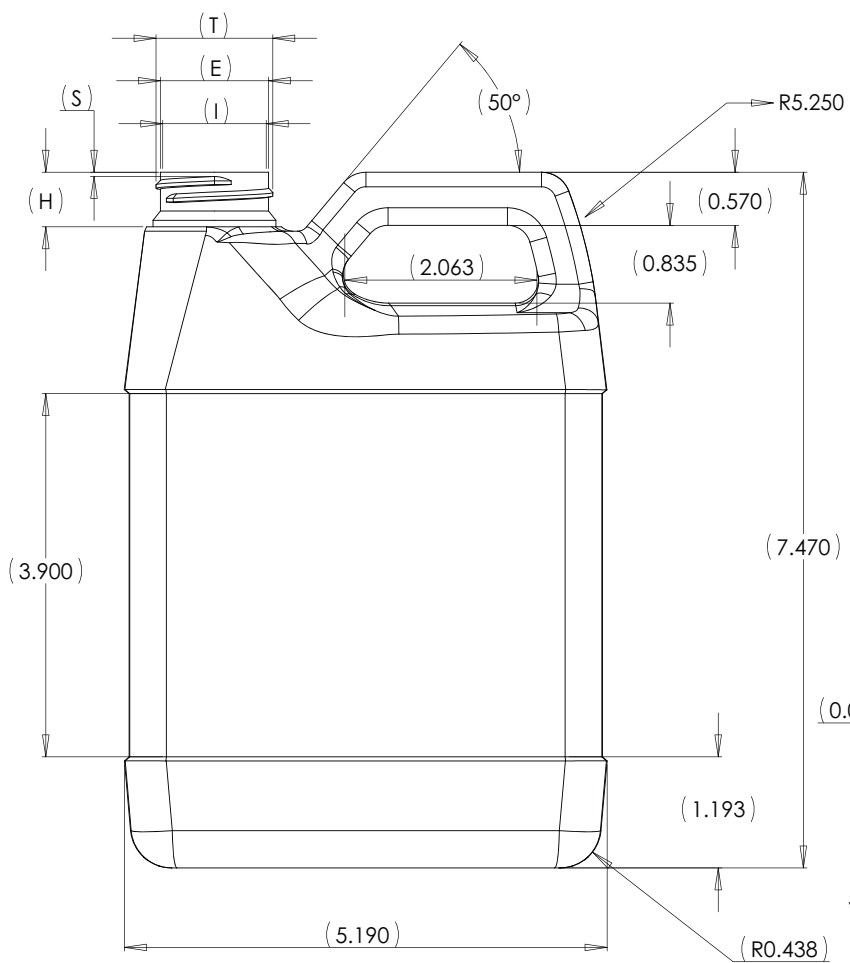
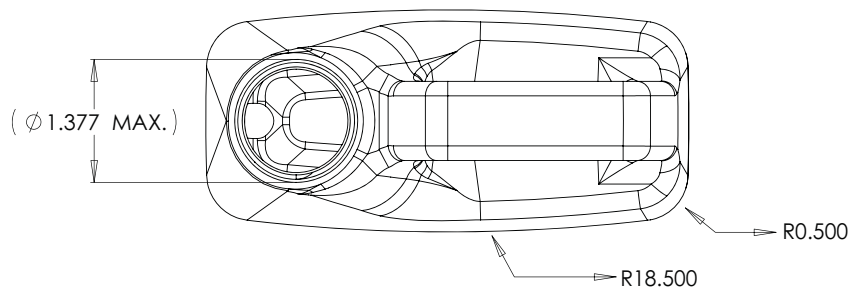
32 oz. White HDPE Plastic F-Style Bottle,
33mm 33-400



3,4-5,6-7,8

The
CARY COMPANY
Est. 1895

| SYM. | DATE | REVISIONS |
|------|---------|--|
| 1 | 9.14.94 | CHANGED "H" DIM. & REF. POINT. |
| 2 | 1.24.95 | ADDED 1.377 MAX BEAD ϕ |
| 3 | 1.23.97 | CORRECTED "H" DIM. |
| 4 | 5.26.04 | REDRAWN IN SOLIDWORKS. CHANGED DIM. TO ACTUAL PART SIZE. |



NOTE
NECK FINISH TO ALLOW
USE OF MOST CR CLOSURES.

33-400 NECK FINISH

| SYM. | MAX. | MIN. |
|------|-------|-------|
| T | 1.265 | 1.241 |
| E | 1.171 | 1.147 |
| H | 0.601 | 0.571 |
| S | 0.061 | 0.031 |
| I | 0.000 | 0.791 |
| L | 0.000 | 0.000 |

1 LITER / 32oz. "F" STYLE

| TOLERANCES | REVISIONS | | |
|----------------------|-----------|---------|-----|
| | NO. | DATE | BY |
| DECIMAL ±.000 | 1 | 9.14.94 | CCA |
| HEIGHT ±.060 | 2 | 1.24.04 | CCA |
| WIDTH&DEPTH ±.120 | 3 | 1.23.97 | CCA |
| | 4 | 5.26.04 | MW |

| | | | | | |
|----------|----|-------|---------|-------------|-----------------|
| DRAWN BY | MW | SCALE | 1-1 | MATERIAL | HDPE |
| CHK'D | | DATE | 5.26.04 | DRAWING NO. | |
| TRACED | | APP'D | | | 1042-050 |