

# IF YOU...



MIX IT. FILL IT. PACK IT. SHIP IT.

# WE HAVE A **PRODUCT** FOR YOU

Part # 68WRTP

---

16 oz. White HDPE Plastic RTU Spray Bottle,  
28mm 28-400

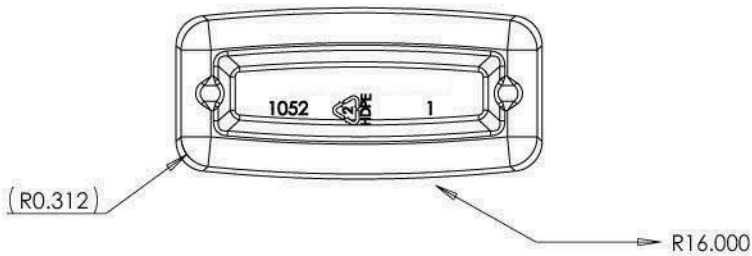
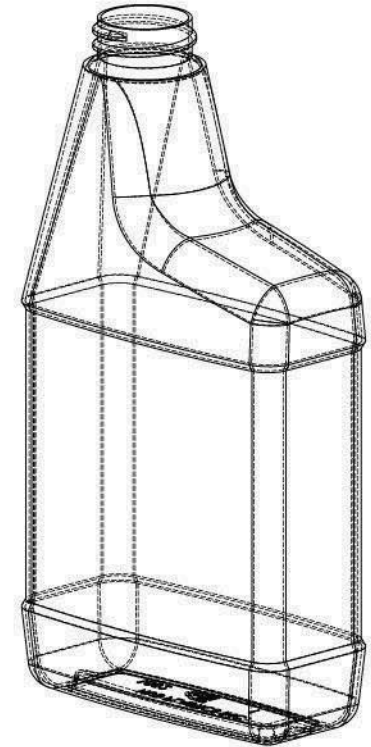
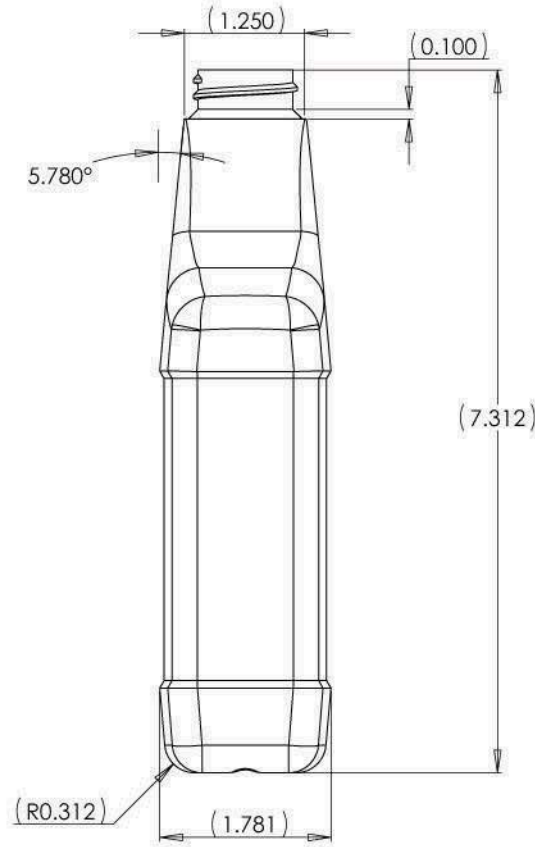
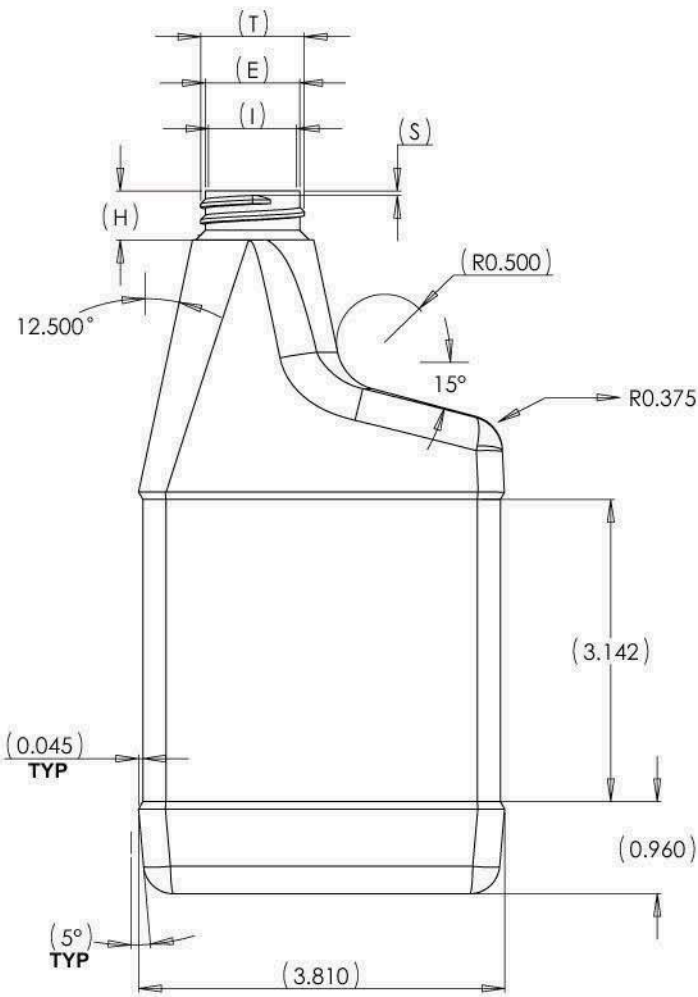
---



NOTICE CONFIDENTIAL PROPERTY

The  
**CARY**COMPANY  
Est. 1895

SYM.	DATE	REVISIONS
1	6.29.04	REDRAWN IN SOLIDWORKS.
2	9.15.04	RE MOVED SPEC. FOR 28-400 PS-113.



28-400 SPECIAL FINISH		
SYM.	MAX.	MIN.
T	1.088	1.068
E	0.994	0.974
H	0.530	0.490
S	0.061	0.031
I	0.000	0.614
L	0.000	0.000

**16 oz. R.T.U**

TOLERANCES	REVISIONS		
	NO.	DATE	BY
DECIMAL ±.000	1	6.29.04	MW
HEIGHT ±.060	2	9.15.04	MW
WIDTH&DEPTH ±.060			

DRAWN BY	MW	SCALE	1-1	MATERIAL	HDPE
CHK'D		DATE	6.29.04	DRAWING NO.	
TRACED		APP'D			<b>1052-050</b>