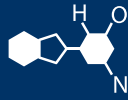


# IF YOU...



MIX IT. FILL IT. PACK IT. SHIP IT.

# WE HAVE A **PRODUCT** FOR YOU

Part # 68WRTQ

---

32 oz. White HDPE Plastic RTU Spray Bottle,  
28mm 28-400

---



**CAV 1-2 3-4 7-8**

SYM.	DATE	REVISIONS
1	1.29.93	CHANGED "I" FROM MIN ONLY.
2	4.28.93	WAS .531 MIN "H".
3	7.16.04	REDRAWN IN SOLIDWORKS. CHANGED DIMENSIONS TO ACTUAL PART SIZE.
4	9.27.06	CHANGED "I" DIM - 0.614 MIN.

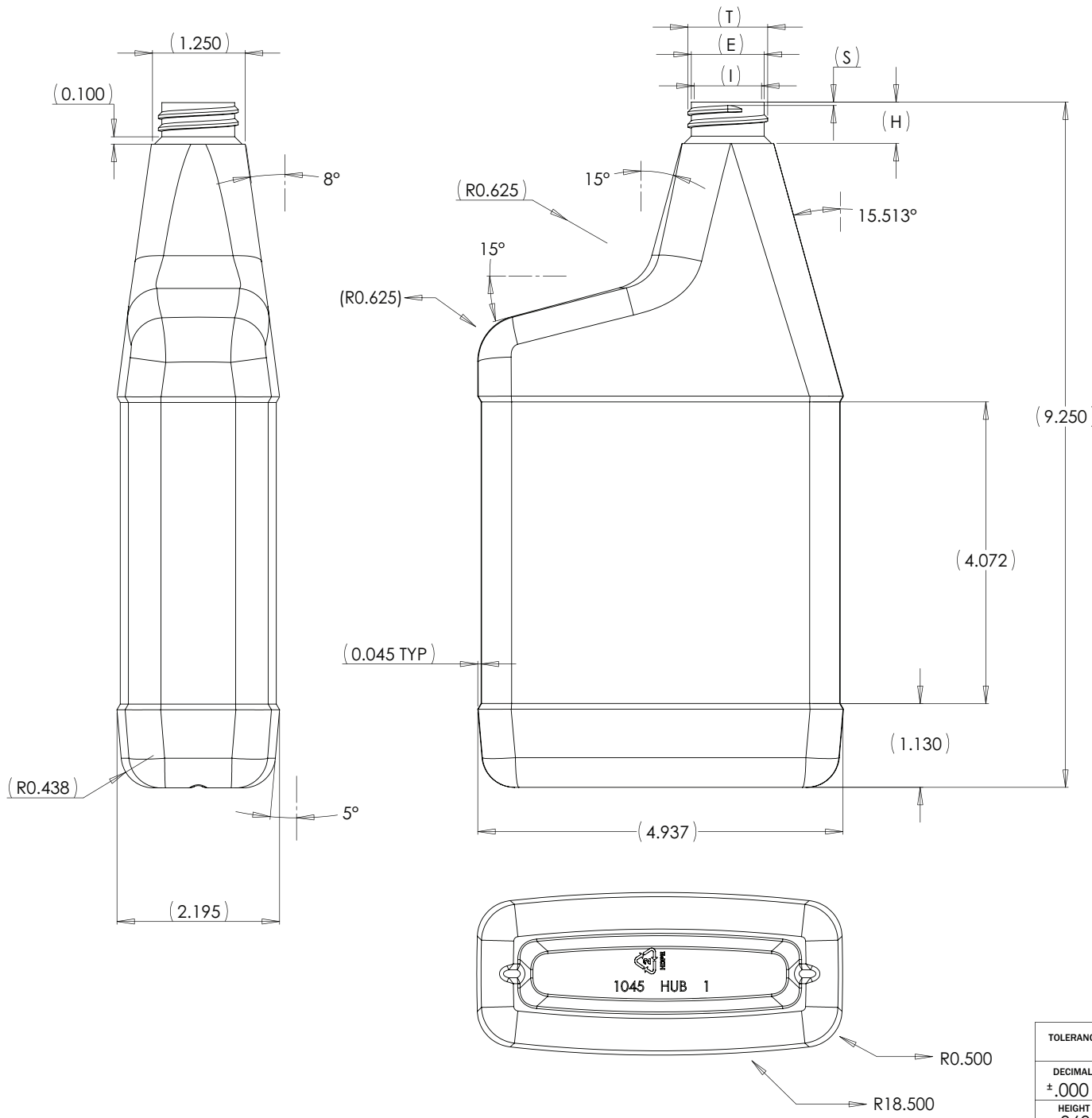
The  
**CARY COMPANY**  
Est. 1895

NOTICE CONFIDENTIAL PROPERTY

Supplied By: **The Cary Company**

Ph: 630-629-6600

www.thecarycompany.com



**"S" CAN BE ADJUSTED TO ACHIEVE SPRAY HEAD ORIENTATION.**

**28-400 SPECIAL FINISH**

SYM.	MAX.	MIN.
T	1.088	1.068
E	0.994	0.974
H	0.580	0.540
S	0.061	0.031
I	0.000	0.614
L	0.000	0.000

**32 oz. R.T.U**

TOLERANCES	REVISIONS		
	NO.	DATE	BY
DECIMAL ±.000	1	1.29.93	CCA
HEIGHT ±.060	2	4.28.93	CCA
	3	7.16.04	MW
WIDTH&DEPTH ±.060	4	9.27.06	MW

DRAWN BY	MW	SCALE	1-1	MATERIAL	HDPE
CHK'D		DATE	7.16.04	DRAWING NO.	
TRACED		APP'D			<b>1045-050</b>