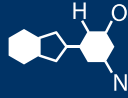


IF YOU...



MIX IT. FILL IT. PACK IT. SHIP IT.

WE HAVE A **PRODUCT** FOR YOU

Part #68WTN3

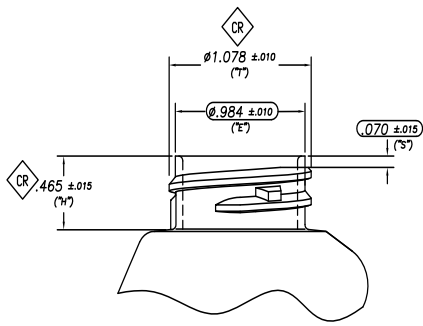
Plastic Spray Bottles

32 oz. Natural HDPE (25% PCR) Plastic Trigger Spray Bottle,
28mm 28-400

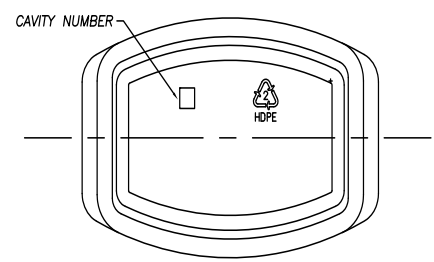
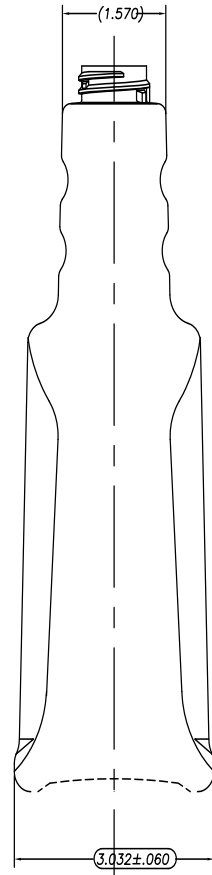
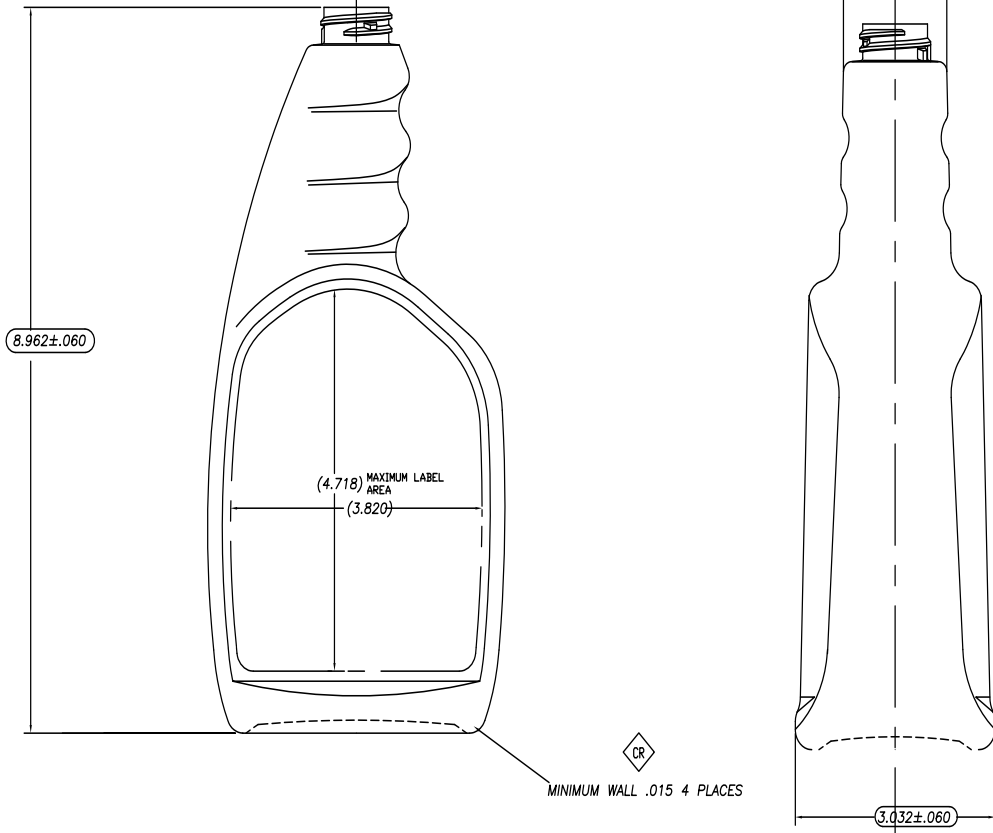
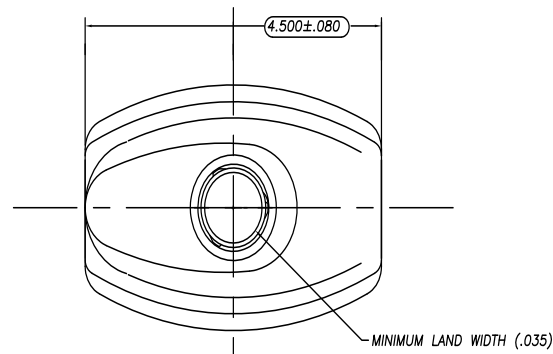


The
CARYCOMPANY
Est. 1895

1195 W. Fullerton Ave. | Addison, IL 60101 | T: 630.629.6600 | F: 630.629.3690 | TheCaryCompany.com



28-P-1530 NECK FINISH
MODIFIED BUTTRESS THREAD.



1. DIMENSIONS OR NOTES MARKED WITH A DENOTE CRITICAL CHARACTERISTICS TO BE MONITORED DURING PRODUCTION.
2. DIMENSIONS OR NOTES MARKED WITH A DENOTE CHARACTERISTICS TO BE MONITORED DURING PRODUCTION QUALIFICATION ONLY.
3. ALL DIAMETER DIMENSIONS MARKED WITH OR SHALL BE DETERMINED BY AVERAGING THE MEASUREMENTS AT PARTING LINE AND 90 DEGREES FROM PARTING LINE.
4. REFERENCE ONLY DIMENSIONS CONTAINED IN ().
5. MINIMUM CONTAINER WALL THICKNESS .015.
6. CONTAINER TOP LOAD REQUIREMENT TO BE NVA LBS. MINIMUM AT 1/4" DEFLECTION.
7. MATERIAL HDPE.
8. TARGET WEIGHT 55.0 ± 3.0 GRAMS.
9. OVERFLOW CAPACITY 34.98 FL. OZ. (1034.5 \pm 15 CC'S)
10. MEASUREMENTS TAKEN 24 HOURS AFTER MOLDING.

The
CARY COMPANY
Est. 1895

				TITLE 33 OZ. TRIGGER	
A	ADDED SHEET 2 28MM CALMAR NECK FINISH			BY	DATE
PROJECT NUMBER	1595-05-14			DESCRIPTION	PRODUCT DRAWING
DRAWN BY	DATE	CHECKED BY	DATE	DRWG. NO. 189PD	
EGM	11/16/2011	XXX	XXX	SIZE D	SCALE 1:1 SHEET 1 OF 2 REV. A