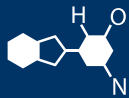


IF YOU...



MIX IT. FILL IT. PACK IT. SHIP IT.

WE HAVE A **PRODUCT** FOR YOU

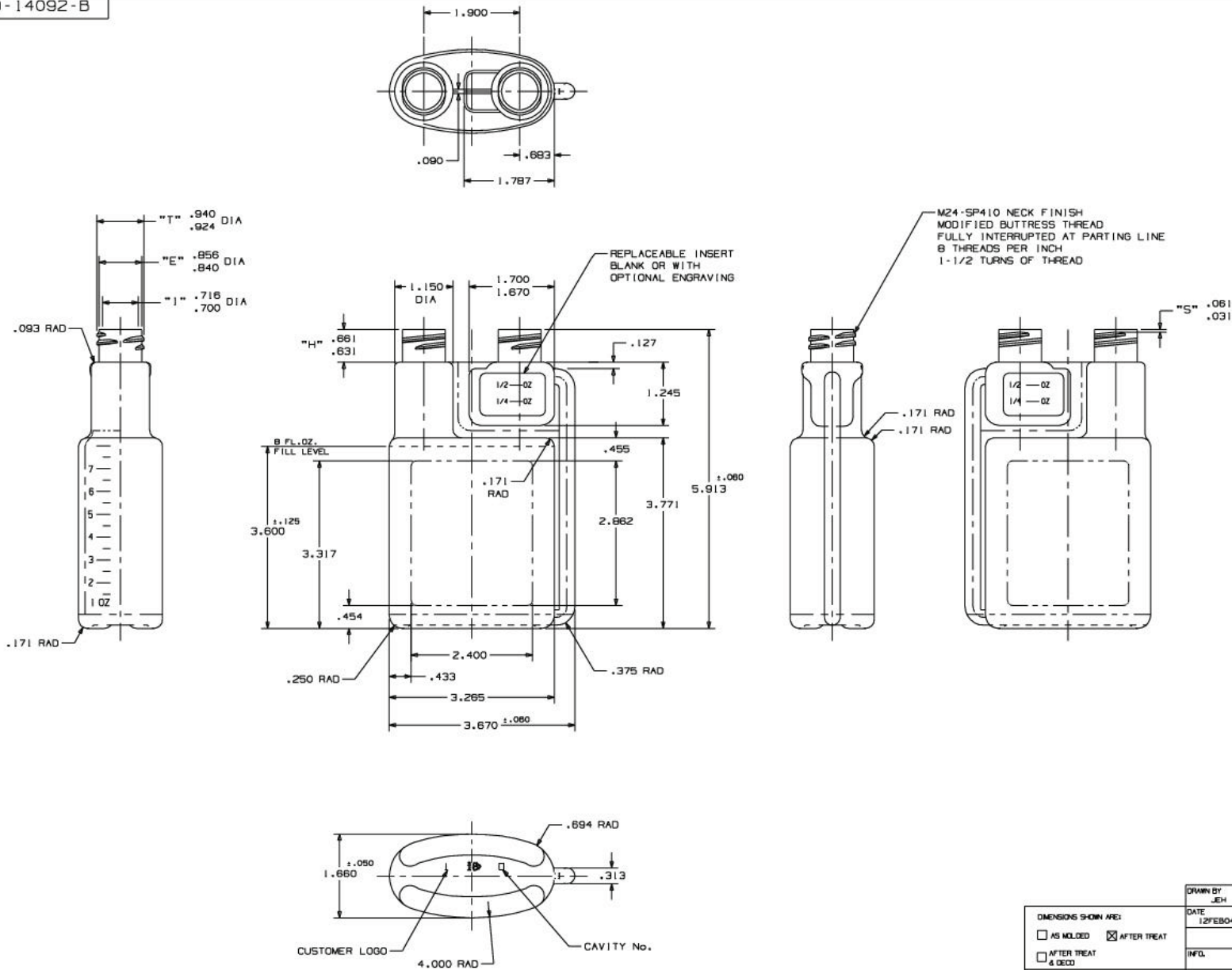
Part # 68WTN8

8 oz. Natural HDPE Plastic Bettix Twin Neck Bottle
with 1/2 oz. Dosage Chamber, 24mm 24-410



MD-9-14092-B

REVISIONS			
LT#	DESCRIPTION	DATE	APPROVED
A	CORRECTED CHAMBER REPRESENTATION	8/3/04	JEH
B	ADDED LABEL DWG #	240C105	KENT



NOTES :
 1) OVERFLOW CAPACITY : 8.62 ± .27 FL.OZ.
 1 255.0 ± 8.0 CC'S.
 2) WEIGHT : 28.0 ± 1.5 GRAMS

DIMENSIONS SHOWN ARE: <input type="checkbox"/> AS MOLDED <input checked="" type="checkbox"/> AFTER TREAT <input type="checkbox"/> AFTER TREAT & DECAD	DRAWN BY: JEH DATE: 12/FEB/04	MATERIAL: HDPE QUOTE NO.	DESCRIPTION: 8 FL.OZ. TWIN NECK BETTIX (1/2 FL.OZ. CHAMBER)
	INFO:	LABEL DWG. NO. P-02802-01 REF. DWG. NO. MD-9-13798 TOOLING NO. TS30-1862	
	CAD: UG	CODE NO. HSM-0840B	
	SCALE: FULL	SURF. AREA	
DRAWING NO. MD-9-14092-B			