

IF YOU...



MIX IT. FILL IT. PACK IT. SHIP IT.

WE HAVE A **PRODUCT** FOR YOU

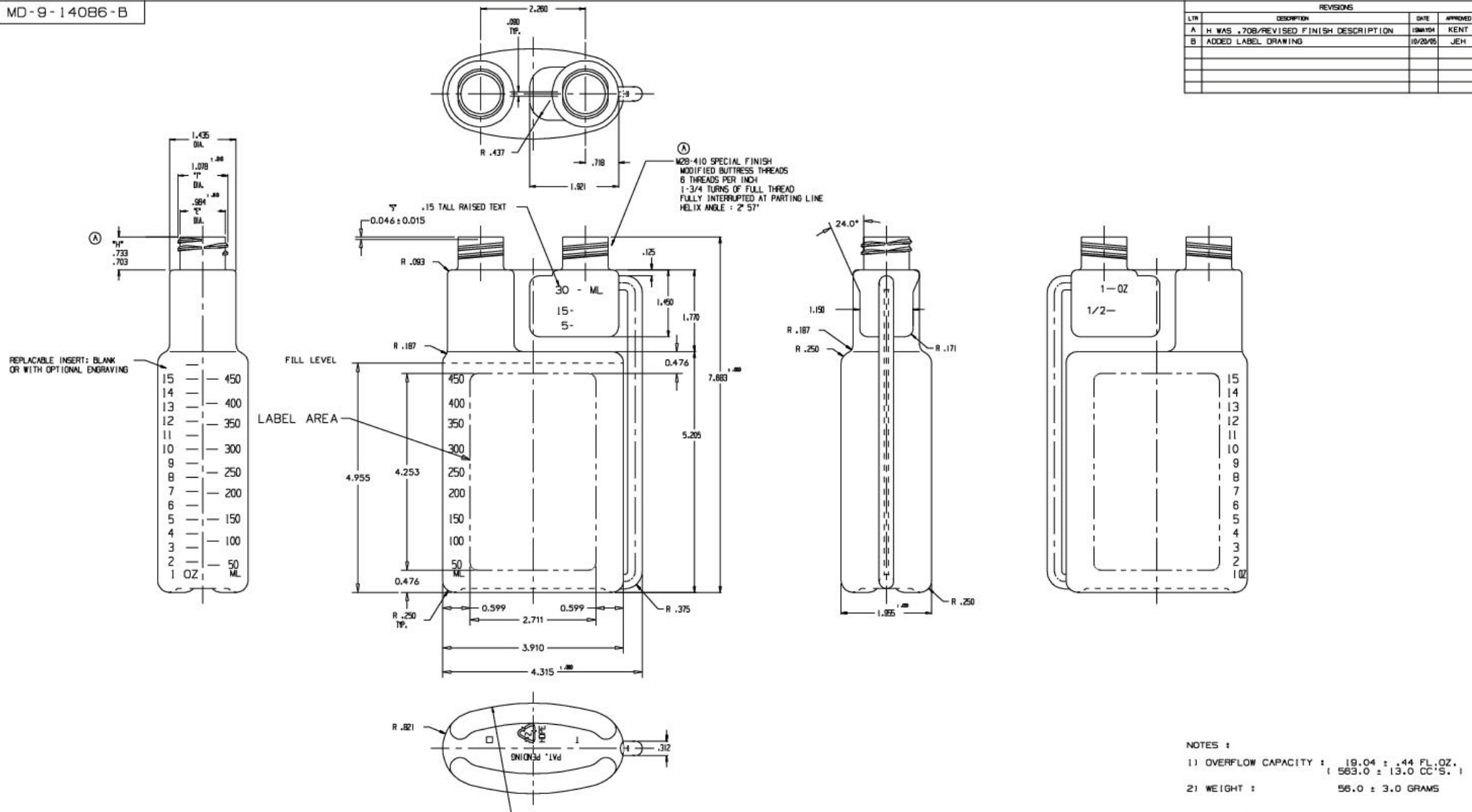
Part # 68WTNP

16 oz. Natural HDPE Plastic Bettix Twin Neck Bottle
with 1 oz. Dosage Chamber, 28mm 28-410



MD-9-14086-B

REVISIONS			
LT#	DESCRIPTION	DATE	APPROVED
A	H WAS .708/REVISED FINISH DESCRIPTION	10/20/04	KENT
B	ADDED LABEL DRAWING	10/20/05	JEH



NOTES :

1) OVERFLOW CAPACITY : 19.04 ± .44 FL.OZ. (563.0 ± 13.0 CC'S.)

2) WEIGHT : 56.0 ± 3.0 GRAMS

DIMENSIONS SHOWN ARE:	DRAWN BY	MATERIAL	CUSTOMER
	<input type="checkbox"/> AS MOLDED <input checked="" type="checkbox"/> AFTER TREAT <input type="checkbox"/> & DECO	JEH	HOPE
	DATE	QUOTE NO.	DESCRIPTION
	10FEB04		
	INFO.	LABEL DWS. NO.	16 FL.OZ. TWIN NECK BETTIX (1 FL.OZ. CHAMBER)
		(B) P-02803-01	
		REF. DWS. NO.	TOOLING NO.
		MD-9-13821	
	CAD	CODE NO.	DRAWING NO.
	LIG	HSM 16377	
	SCALE	SURF. AREA	MD-9-14086-B
	FULL		