

# IF YOU...



MIX IT. FILL IT. PACK IT. SHIP IT.

# WE HAVE A **PRODUCT** FOR YOU

Part # 68WTR2

---

23 oz. White HDPE Plastic Trigger Spray Bottle,  
28mm 28-400

---



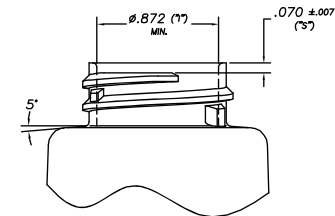
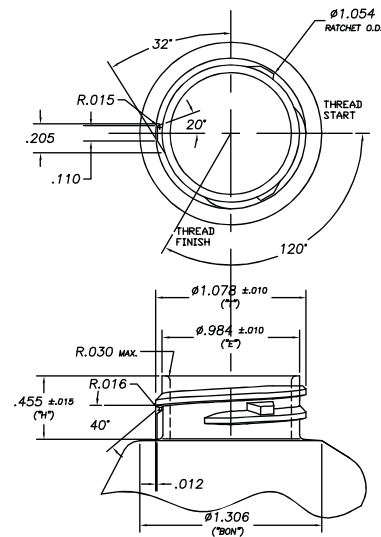
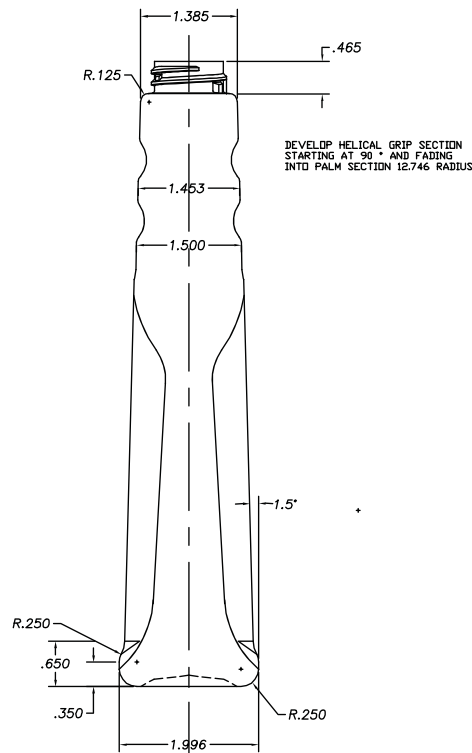
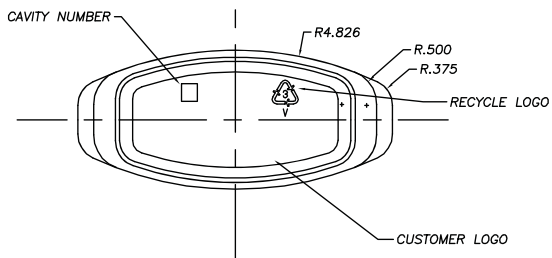
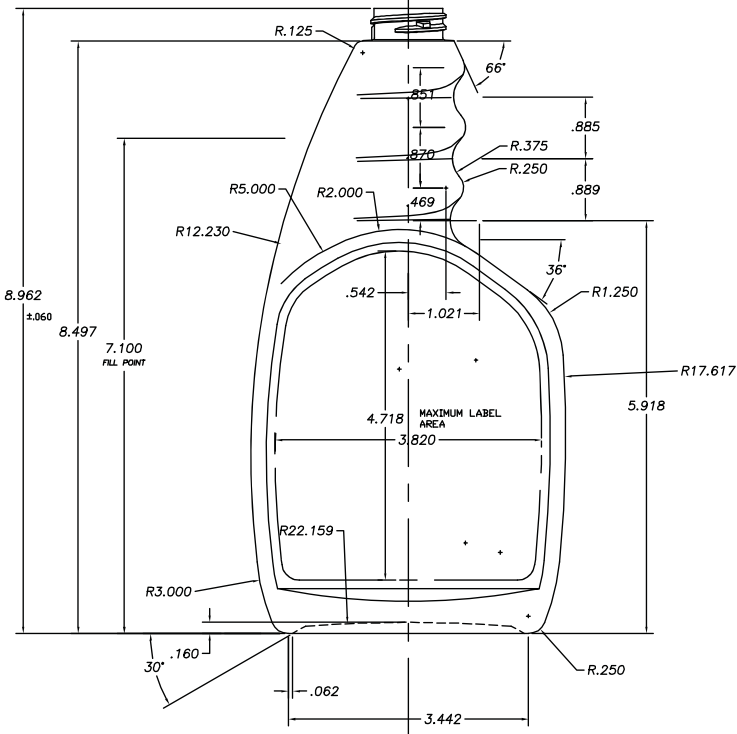
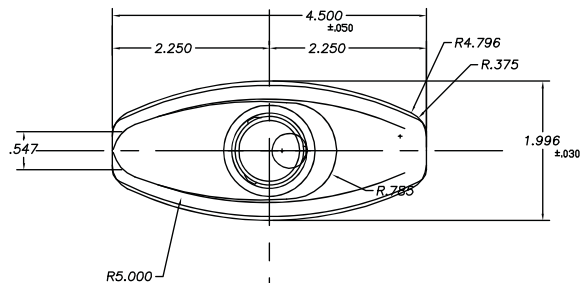
REV	DESCRIPTION	DATE
REF # 9524 REV 9		

**BOTTLE SPECS**

- |                      |                         |
|----------------------|-------------------------|
| 1) MATERIAL          | H.D.P.E.                |
| 2) WEIGHT            | T.B.D.                  |
| 3) COLOR             | TBD                     |
| 4) FILL CAPACITY     | 23 FL. OZ. (975.9 CC'S) |
| 5) OVERFLOW CAPACITY | T.B.D.                  |

**NECK SPECS**

- 28-P-1530 FINNISH MODIFIED BUTTRESS THREAD.
- 6 T.P.I. @ 2' 57" HELIX ANGLE
- THREAD STARTS @ P/L
- MIN. OF 1-1/4 TURNS OF THREADS
- MINIMUM SEAL LAND THICKNESS .035



The **CARY COMPANY**  
Est. 1895

Supplied By: **The Cary Company**  
Ph: 630-629-6600  
www.thecarycompany.com

TITLE			23 OZ TRIGGER		
DESCRIPTION PRODUCT DRAWING					
DRAWN JOEY K.	CHK'D.	APPR.			
DATE 2-10-06	DATE	DATE			
SCALE NOTED	DRAWING NUMBER		23-XXXX N		
PROJ. NO.					