

# IF YOU...



MIX IT. FILL IT. PACK IT. SHIP IT.

# WE HAVE A **PRODUCT** FOR YOU

Part # 68WTR4

---

22 oz. Clear PET Plastic Pistol Grip Sprayer  
Bottle, 28mm 28-400

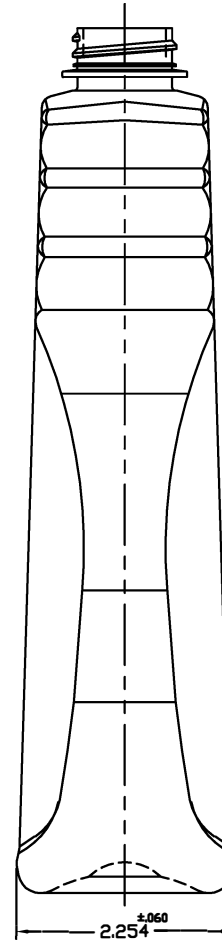
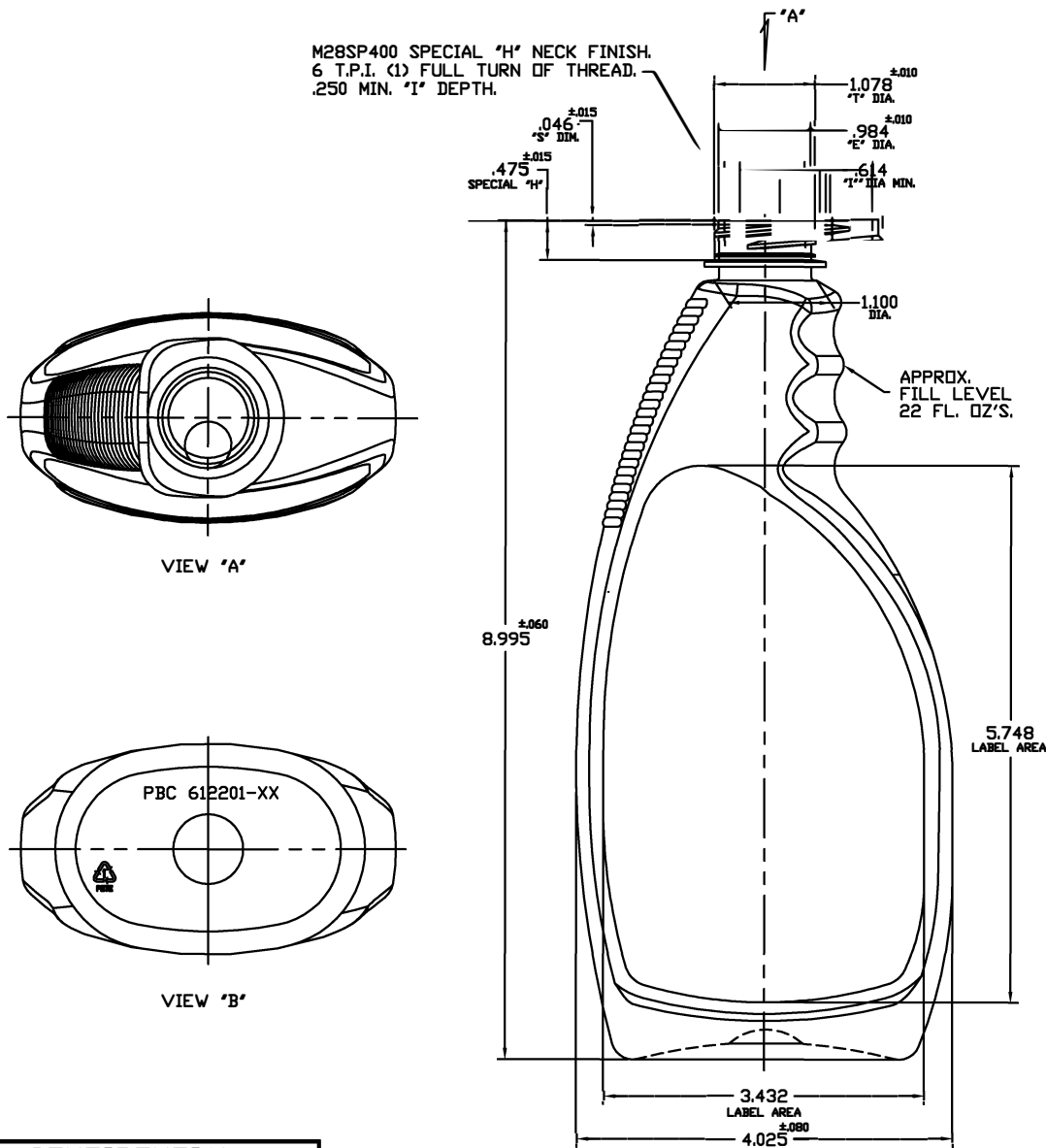
---



REVISIONS	DATE	BY
ORIGINAL RELEASE	7/17/12	BSP

The  
**CARY COMPANY**  
Est. 1895

M28SP400 SPECIAL "H" NECK FINISH.  
6 T.P.I. (1) FULL TURN OF THREAD.  
.250 MIN. "I" DEPTH.



DUE TO MANUFACTURING VARIABLES  
CONTAINER OVERFLOW CAPACITIES  
AND FILL LEVELS ARE APPROXIMATE  
AND WILL BE FINALIZED AFTER  
SAMPLE CONTAINERS ARE PRODUCED.  
PATTERN AND MOLD CAVITY  
DISPLACEMENTS ARE RECOMMENDED.

FINAL PRINT APPROVAL	
BY- _____	DATE- _____
_____	_____
_____	_____

CONFIDENTIAL

-NOTES-  
CONTAINER MAT'L- PETE  
CONTAINER WEIGHT- 43 ±1 GRAMS.  
O/F CAPACITY- 687 ±13ml.  
CONTAINER WEIGHT- 53 ±1 GRAMS.  
O/F CAPACITY- 679 ±13ml.

TITLE PART 22 FL. OZ. PISTOL GRIPPER SPRAYER OVAL		JOB #	
SCALE 1:1/NOTED		REV #	
MATERIAL SEE NOTES		DATE BSP 7/17/12	APPROV. DATE
REFERENCE PAGE # C	PART # PBC-653AS		REVISION