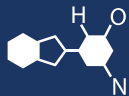


IF YOU...



MIX IT. FILL IT. PACK IT. SHIP IT.

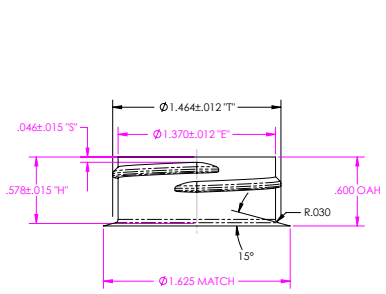
WE HAVE A **PRODUCT** FOR YOU

Part #: 68WUSW

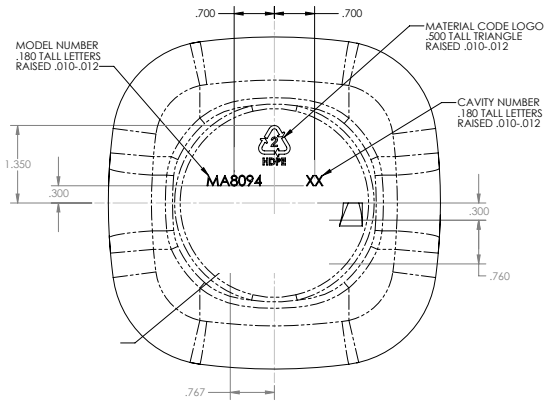
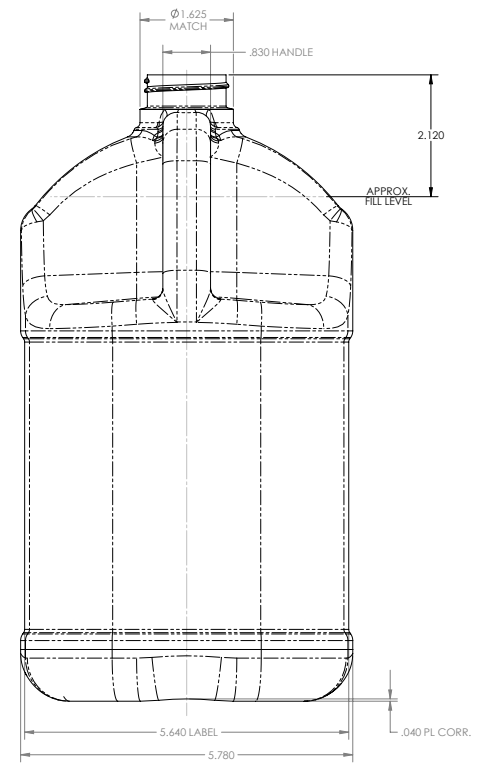
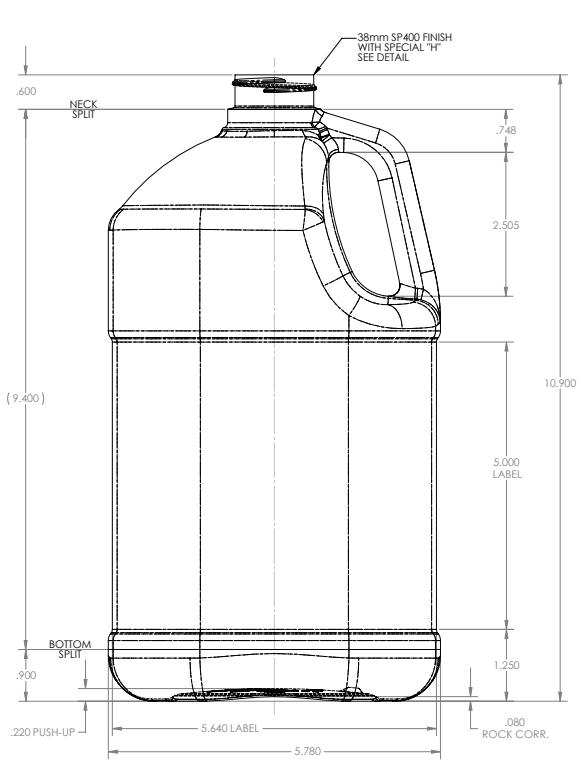


The
CARYCOMPANY
Est. 1895

1195 W. Fullerton Ave. | Addison, IL 60101 | T: 630.629.6600 | F: 630.629.3690 |



38mm SP400 NECK DETAIL 2X SCALE
 "M" STYLE THREAD
 ONE FULL TURN
 6 THREADS PER INCH



- Notes:
 1) Tolerances Unless Specified:
 Vertical -- ±.080"
 Horizontal -- ±.080"
 Volumetric -- ±1.50oz.
 2) Bottles to be Checked Aged with 20°C water
 3) Estimated Bulge -- 2.00oz.



PROPRIETARY AND CONFIDENTIAL <small>THE INFORMATION CONTAINED IN THIS DRAWING IS THE SOLE PROPERTY OF THE CARY COMPANY. ANY REPRODUCTION IN PART OR AS A WHOLE WITHOUT THE WRITTEN PERMISSION OF THE CARY COMPANY IS PROHIBITED.</small>	Drawn By: MJS Checked: KDG Customer: Polycron Reference Materials: 80359 Sample Cov.#3 with enlarged handle	Date: 7/25/07 Date: 7/25/07 Job#: 7388	Container Data: Weight: 115g-120 grams Fill Level Capacity: 128.0 oz. Overflow Capacity: 134.5 oz. Material: HDPE Avg. Wall Thickness: .026"	Description: Product Drawing One Gallon Industrial Square Size: D Drawing Number: MA8094-2 REV: 1 SHEET: 1 OF 1
---------------------------------------------------------------------------------------------------------------------------------------------------------------------------------------------------------------------------------------------	----------------------------------------------------------------------------------------------------------------------------	----------------------------------------------	-------------------------------------------------------------------------------------------------------------------------------------------------------------	--------------------------------------------------------------------------------------------------------------------------------