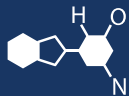


# IF YOU...



MIX IT. FILL IT. PACK IT. SHIP IT.

# WE HAVE A **PRODUCT** FOR YOU

Part #: 68WWC1

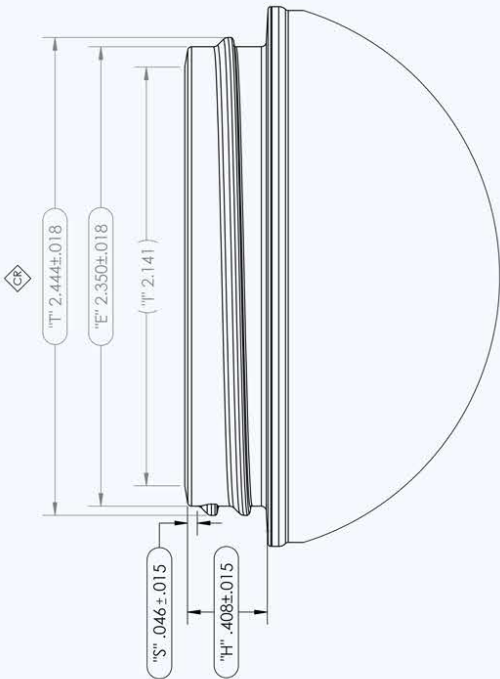
Plastic Canisters

10 oz. White HDPE Plastic Canister,  
63mm 63-400

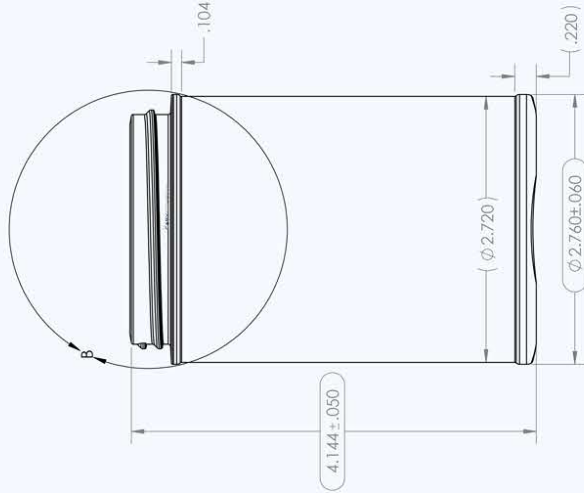


The  
**CARY**COMPANY  
Est. 1895

1195 W. Fullerton Ave. | Addison, IL 60101 | T: 630.629.6600 | F: 630.629.3690 |

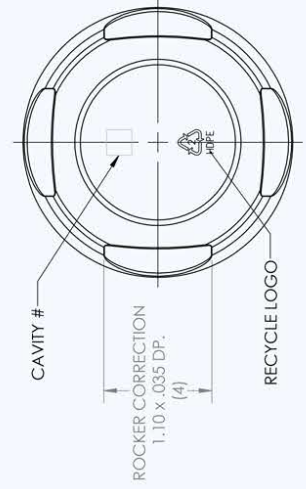
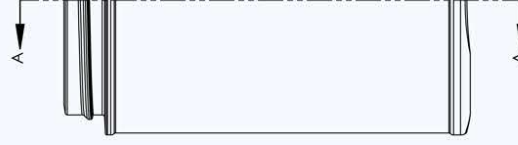


DETAIL B  
SCALE 2:1  
63MM - 400



SECTION A-A

LABEL  
PANEL  
3.410



CAVITY #

ROCKER CORRECTION  
1.10 x .035 DP.  
(4)

RECYCLE LOGO

1. DIMENSIONS OR NOTES MARKED WITH A DENOTE CRITICAL CHARACTERISTICS TO BE MONITORED DURING PRODUCTION.
2. DIMENSIONS OR NOTES MARKED WITH A DENOTE CHARACTERISTICS TO BE MONITORED DURING PRODUCTION QUALIFICATION ONLY.
3. ALL DIAMETER DIMENSIONS MARKED WITH OR SHALL BE DETERMINED BY AVERAGING SHALL BE TAKEN AT PARTING LINE AND 90 DEGREES FROM PARTING LINE.
4. REFERENCE ONLY DIMENSIONS CONTAINED IN ( ).
5. MINIMUM CONTAINER WALL THICKNESS .012
6. CONTAINER TOP LOAD REQUIREMENT TO BE TBD LBS. MINIMUM AT 1/4" DEFLECTION.
7. MATERIAL HDPE
8. TARGET WEIGHT 23g
9. OVERFLOW CAPACITY 11.9 FL. OZ.
10. MEASUREMENTS TAKEN 24 HOURS AFTER MOLDING.

<b>The CARY COMPANY</b> <small>Est. 1895</small>			
TITLE: 10oz EASY-OPEN CANISTER - 63mm	DESCRIPTION: PRODUCT DRAWING		
REV	DATE	BY	DATE
DRAWN BY	DATE	CHECKED BY	DATE
ZMF	4/21/20		
SIZE	SCALE 1:1	SHEET 1 OF 1	REV.
<b>C</b>			