

# IF YOU...



MIX IT. FILL IT. PACK IT. SHIP IT.

# WE HAVE A PRODUCT FOR YOU

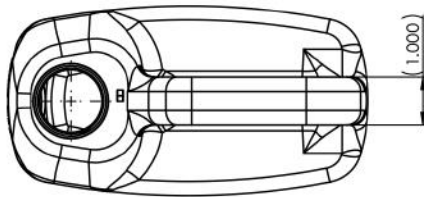
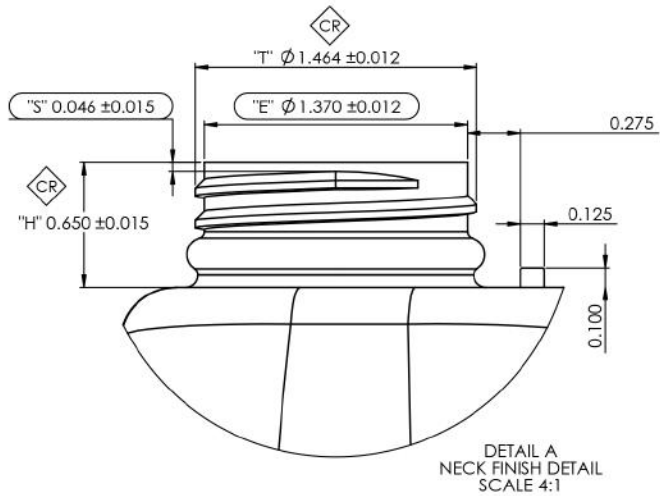
Part # 68WWF4

---

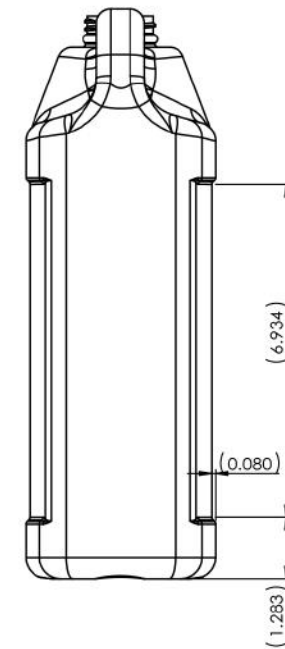
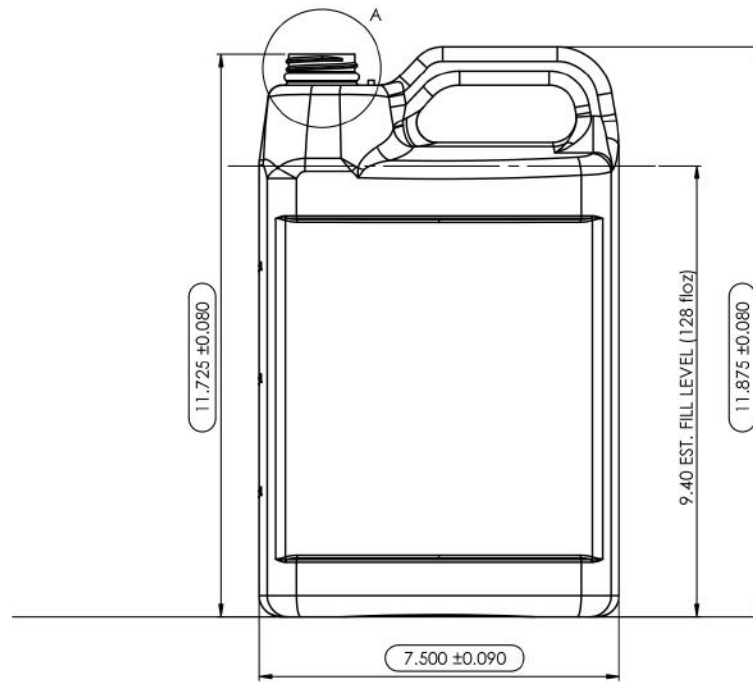
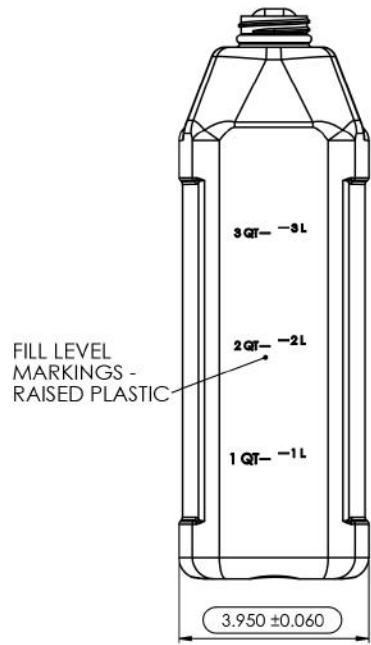
1 Gallon White HDPE Plastic F-Style Bottle,  
38mm 38-400, 4x1 Reshipper Box

---

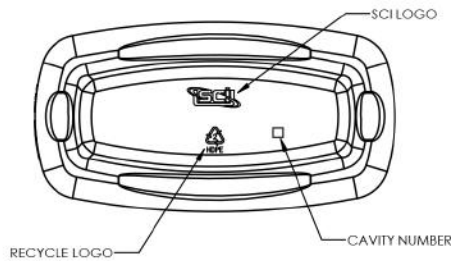




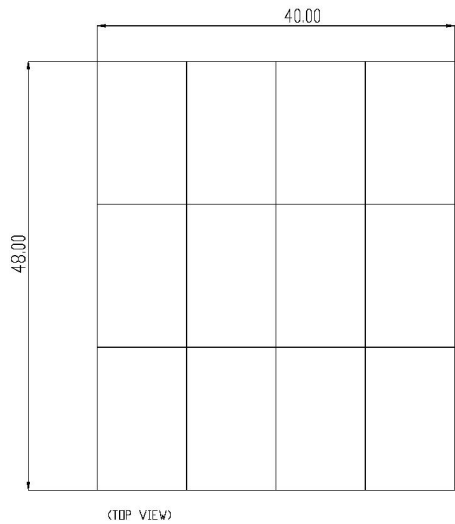
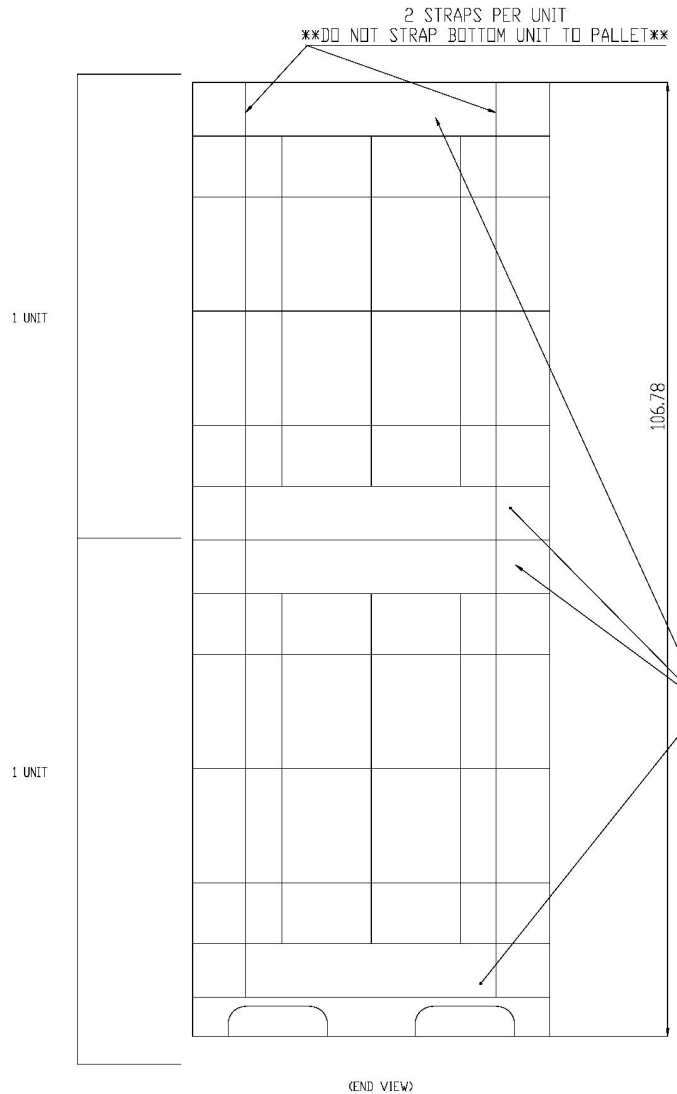
DETAIL A  
NECK FINISH DETAIL  
SCALE 4:1



1. DIMENSIONS OR NOTES MARKED WITH A DENOTE CRITICAL CHARACTERISTICS TO BE MONITORED DURING PRODUCTION.
2. DIMENSIONS OR NOTES MARKED WITH A DENOTE CHARACTERISTICS TO BE MONITORED DURING PRODUCTION QUALIFICATION ONLY.
3. ALL DIAMETER DIMENSIONS MARKED WITH OR SHALL BE DETERMINED BY AVERAGING THE MEASUREMENTS AT PARTING LINE AND 90 DEGREES FROM PARTING LINE.
4. REFERENCE ONLY DIMENSIONS CONTAINED IN ( ).
5. MINIMUM CONTAINER WALL THICKNESS .015"
6. CONTAINER TOP LOAD REQUIREMENT TO BE TBD LBS. MINIMUM AT 1/4" DEFLECTION.
7. MATERIAL HDPE
8. TARGET WEIGHT 140.0 GRAMS.
9. OVERFLOW CAPACITY 140.0 FL. OZ. (EST. W/O BULGE)  
141.7 FL. OZ. (EST. W/ BULGE)
10. MEASUREMENTS TAKEN 24 HOURS AFTER MOLDING.



				Distributed by: <b>The CARY COMPANY</b> Est. 1895 1195 W. Fullerton Ave. Addison, IL 60101			
				TITLE: 1 GALLON F-STYLE			
				DESCRIPTION: PRODUCT DRAWING			
DRAWN BY		DATE		CHECKED BY		DATE	
ZMF		3/8/16					
				DRWG. NO.			
SIZE C		SCALE 1:2		SHEET 1 OF 1		REV.	



PALLET: 40" X 48"  
 SLIP SHEET: C40X60SS  
 RSC: XXX  
 DIVIDER: XXX

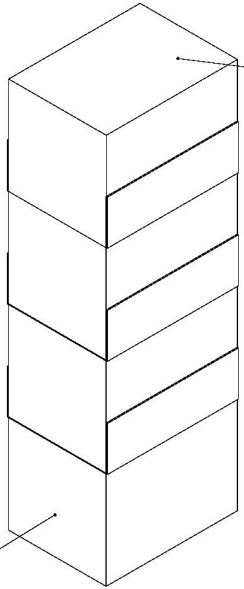
CAPACITY:  
 4 BOTTLES/RSC  
 48 BOTTLES/LAYER 12 RSC  
 BOTTOM UNIT (ON PALLET): 4 LAYERS/UNIT  
 TOP UNIT: 4 LAYERS/UNIT  
 8 LAYERS/SKID  
 384 BOTTLES/SKID (96 RSC)

EACH UNIT GETS C40X60SS SLIP SHEET  
 ON BOTTOM & TOP.  
 SLIP SHEETS FOLDED OVER SIDES & STRAPPED  
 WITH (2) STRAPS  
 \*\*DO NOT STRAP BOTTOM UNIT TO PALLET\*\*

UNITS INDIVIDUALLY STRAPPED & STRETCH WRAPPED

CAPACITY PER TRAILER:  
 384 BOTTLES/SKID  
 30 SKIDS/TRAILER  
 11,520 BOTTLES/TRAILER (2,880 RSC)

40X60 SLIPSHEET FOLDED  
 UP ON SIDES.  
 SLIPSHEET ON BOTTOM & TOP  
 OF EACH UNIT



STACK BOXES  
 MINOR FLAPS FOLDED IN  
 MAJOR FLAPS STAY OPEN

				Distributed by: <b>The CARY COMPANY</b> EST. 1895	
				1195 W. Fullerton Ave. Addison, IL 60101	
				TITLE: F-STYLE 4X1 RESHIPPER	
				DESCRIPTION: PACKAGING DIAGRAM	
BY	DATE	BY	DATE	DRWS. NO.	
ZMF	10/18/16				
<small>PROPRIETARY AND CONFIDENTIAL          THE INFORMATION CONTAINED IN THIS          DRAWING IS THE SOLE PROPERTY OF          CARY COMPANY, INC. AND          IS NOT TO BE REPRODUCED OR          TRANSMITTED IN ANY FORM OR BY          ANY MEANS, ELECTRONIC OR MECHANICAL,          INCLUDING PHOTOCOPYING, RECORDING,          OR BY ANY INFORMATION STORAGE AND          RETRIEVAL SYSTEM, WITHOUT THE WRITTEN PERMISSION OF          CARY COMPANY, INC. 18</small>				SIZE: D	SCALE: 1:1
				SHEET 1 OF 1 REV.	