

Part#: 81WA06



Part#	Description
*81WA06	1 - 5 Gallon Pail Hazmat Shipper Box for Plastic Pails
UN Rating	Pails Sold Separately
UN4G/Y37.6/S	*81WA06 - Not certified/designed to ship by Air

Dimensions
12 1/2" x 12 1/2" x 15 1/8"



Supplied By: **The Cary Company**
Ph: 630-629-6600
www.thecarycompany.com

COMPONENTS: Box, Pail/Cap

ASSEMBLY INSTRUCTIONS

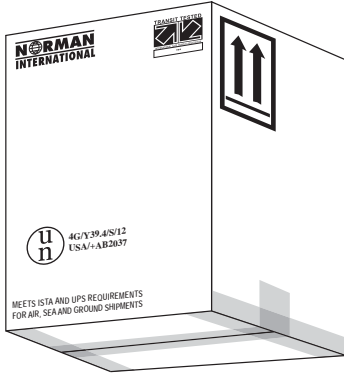


Figure 1

1. Fold bottom of fiberboard box and seal center seam with 2" wide clear plastic tape (3M Type 371) extending 3" on each side. Use "H" pattern for taping. (See Figure 1)

NIPT#6-12-PCP5GP

2. Tighten rieke cap to specifications (120 In. LBS.). (See Figure 2)

NIPT#6-48-P5GCCH

3. Set in plastic pail. (See Figure 3)

4. Fold top of fiberboard box and seal center seam with 2" wide clear plastic tape (3M Type 371) extending 3" on each side. Use "H" pattern for taping. (See Figure 4)

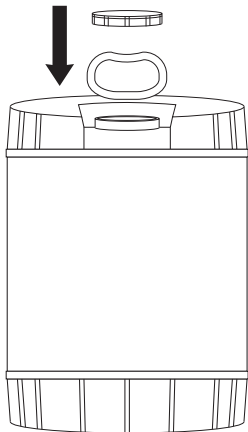


Figure 2

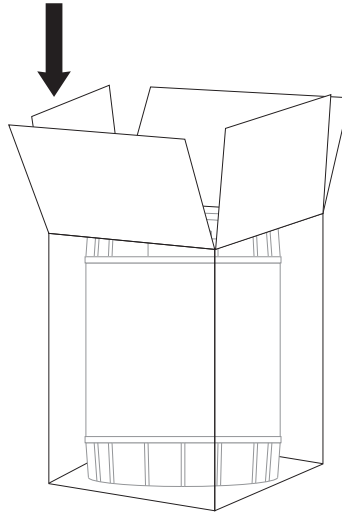


Figure 3

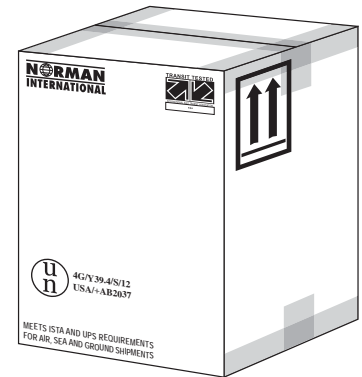


Figure 4

*If shipping by air, please consult the proper regulatory manual.

Supplied By: **The Cary Company**

Ph: 630-629-6600

www.thecarycompany.com

ASSEMBLY INSTRUCTIONS

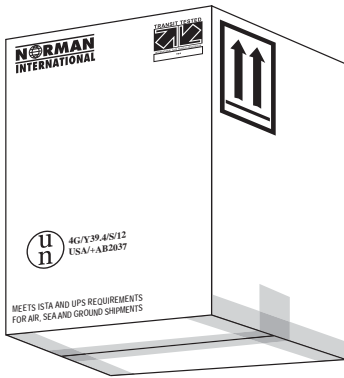


Figure 1

1. Fold bottom of fiberboard box and seal center seam with 2" wide clear plastic tape (3M Type 371) extending 3" on each side. Use "H" pattern for taping. (See Figure 1)
NIPT#6-12-PCP5GP
2. Apply lid to pail with pneumatic plate closer at 80 PSI. (See Figure 2)
NIPT#6-48-P5GCOH
3. Set in plastic pail. (See Figure 3)
4. Fold top of fiberboard box and seal center seam with 2" wide clear plastic tape (3M Type 371) extending 3" on each side. Use "H" pattern for taping. (See Figure 4)

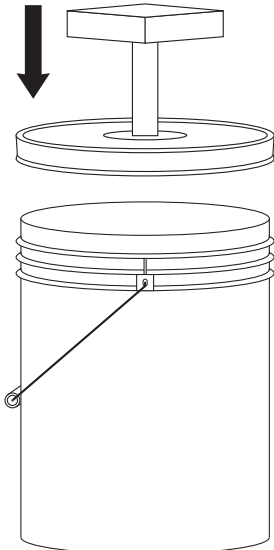


Figure 2

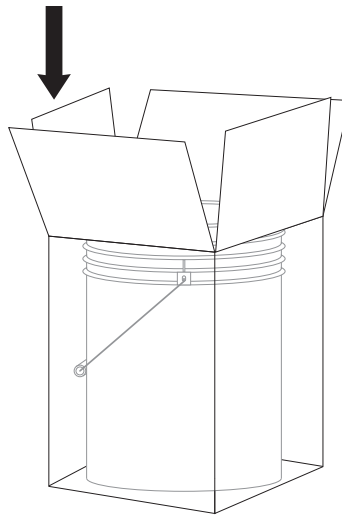


Figure 3

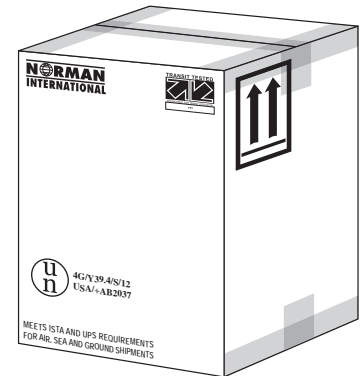


Figure 4

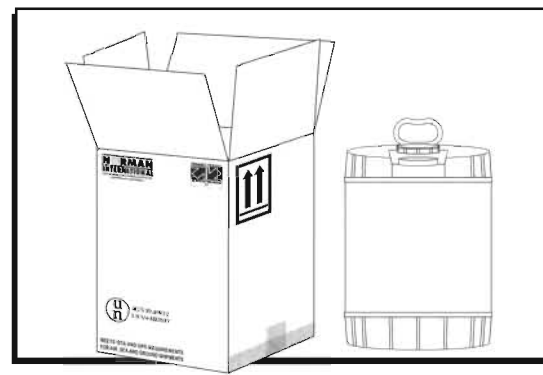
**NOTE: Plastic 5 Gallon open head shipper and pail not suitable for air. Only land and sea.*

**If shipping by air, please consult the proper regulatory manual.*

Supplied By: **The Cary Company**
Ph: 630-629-6600
www.thecarycompany.com

CORRUGATED GALLON SHIPPER

5 Gallon Plastic Pail (CH) Corrugated Shipper



COMPONENTS: Box, Pail/Cap

ASSEMBLY INSTRUCTIONS

Instructions for the following carton: 6-12-PCP5GP

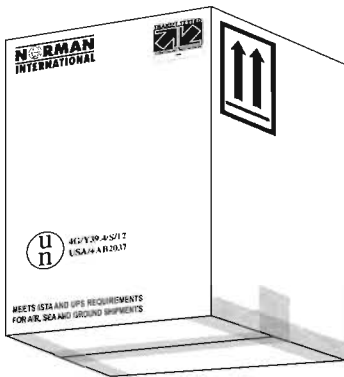


Figure 1

1. Fold bottom of fiberboard box and seal center seam with 2" wide clear plastic tape (3M Type 371) extending 3" on each side. Use "H" pattern for taping. (See Figure 1)

NIPT#6-12-PCP5GP

2. Tighten rieke cap to specifications (120 In. LBS.). (See Figure 2)

NIPT#6-48-P5GCCH

3. Set in plastic pail. (See Figure 3)

4. Fold top of fiberboard box and seal center seam with 2" wide clear plastic tape (3M Type 371) extending 3" on each side. Use "H" pattern for taping. (See Figure 4)

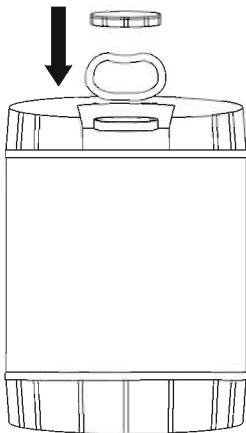


Figure 2

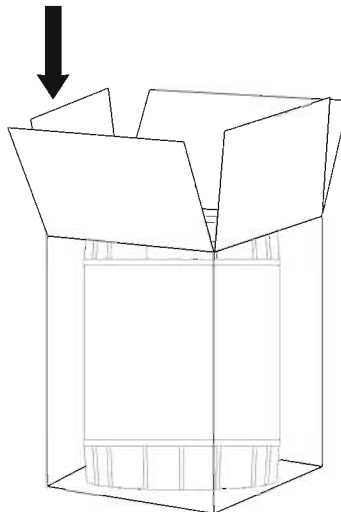


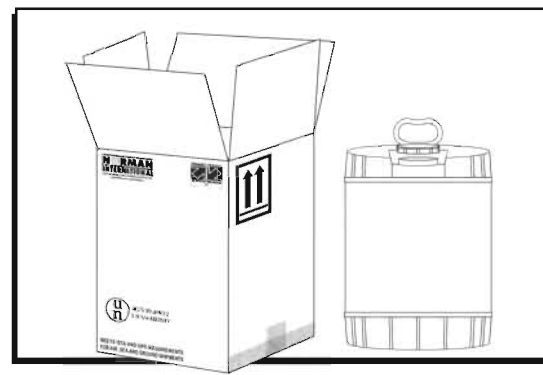
Figure 3



Figure 4

CORRUGATED GALLON SHIPPER

5 Gallon Plastic Pail (CH) Corrugated Shipper



COMPONENTS: Box, Pail/Cap

ASSEMBLY INSTRUCTIONS

Instructions for the following carton: 6-12-PCP5GP

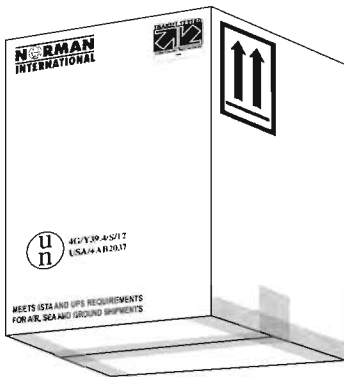


Figure 1

1. Fold bottom of fiberboard box and seal center seam with 2" wide clear plastic tape (3M Type 371) extending 3" on each side. Use "H" pattern for taping. (See Figure 1)

NIPT#6-12-PCP5GP

2. Tighten rieke cap to specifications (120 In. LBS.). (See Figure 2)

NIPT#6-48-P5GCH

3. Set in plastic pail. (See Figure 3)

4. Fold top of fiberboard box and seal center seam with 2" wide clear plastic tape (3M Type 371) extending 3" on each side. Use "H" pattern for taping. (See Figure 4)

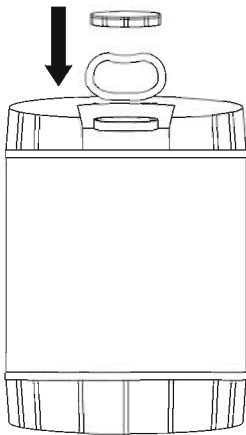


Figure 2

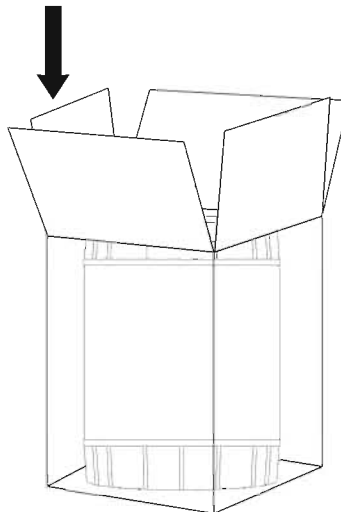


Figure 3



Figure 4