

LED At A Glance Remote Display

The “LED At-A-Glance” gauge system is an electronic remote read that accurately and reliably measures the fuel level in your fuel tank. It will transmit and display the level information to a wired LED display located in a convenient location on your premises.

Operation:

- The Display/Receiver displays the liquid level on a row of LED's where each LED represents approximately a 1/8 of the tank's capacity
- The row of LED's is green from 3/8 of a tank to full
- When the level goes to 1/4 tank the highest LED illuminated will be yellow
- At 1/8 of a tank the highest LED illuminated will be red



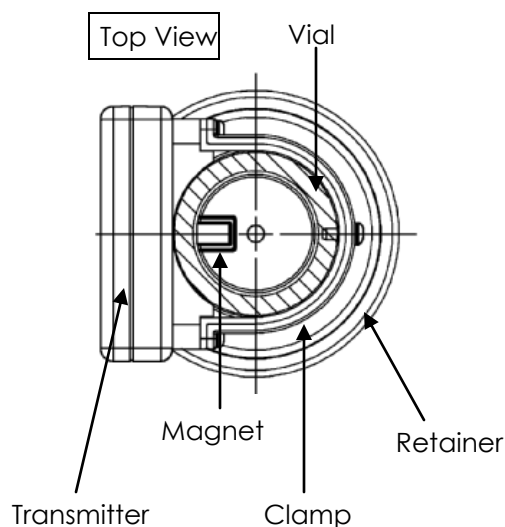
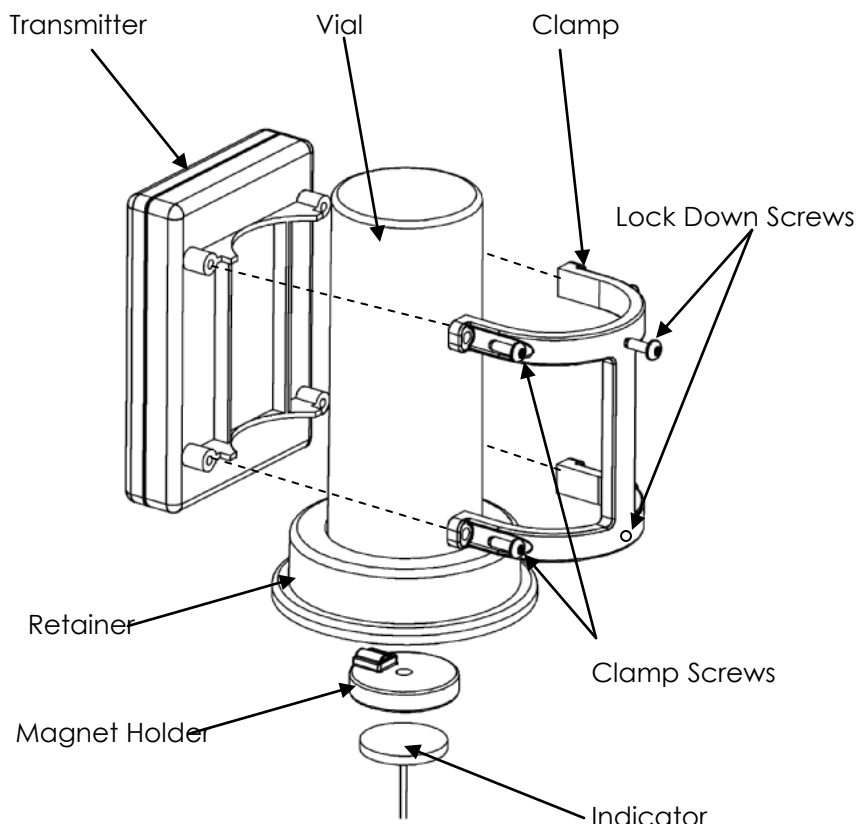
FEATURES

- Quick and easy installation.
- Suitable for use in both indoor or outdoor applications.
- Connects using a 3 wire cable with weatherproof plugs.
- Yellow fault light will illuminate if there is any fault in the system.
- Powered by a standard 9V battery. Recommended to be changed out once per year.
- Display comes with 25 feet of remote capability.
- Can be ordered with up to 100 feet of remote capability.
- Hi or Low Level adjustable alarms. (can also be disabled)

Assembly Instructions for the LED At A Glance Remote Display

Before installing battery, see user guide for alarm settings. Default settings have the alarms turned off.

1. Unscrew mechanical gauge vial retainer and lift vial and retainer off.
2. Place magnet holder on indicator, and replace vial and retainer over magnet holder and screw retainer back down.
3. *Skip step one and two if your gauge and LED were ordered together. In this case, your indicator and magnet are already installed.*
4. The clamp, clamp screws, and transmitter should already be assembled. Slide the transmitter and clamp down over the vial.
5. Looking at the top view (the picture on bottom right), line the transmitter up with the magnet as shown in the picture and tighten the two lock down screws.
6. To install battery, unscrew the battery box and pull the tab for access to battery compartment.
7. Remember that this is the location of the alarm settings (see user guide).
8. View the current fuel level using the mechanical float gauge.
9. Press the "Push" button once to check the level on the remote display.
10. Slide the transmitter up or down until the mechanical gauge reading matches the electronic gauge reading.
11. Tighten the lock down screws to lock the transmitter into place.
12. Mount the display in a convenient location.



User Guide

**Alarm Factory Settings are set to the off position.
Please configure to your application needs during installation.**

LED At A Glance Product Features include:

- Tank Level Check:** One button push will register current tank level.
- Alarm Test:** Two button pushes will test alarm with one chirp.
- Fill Mode:** Three button pushes will register current tank level and update level while filling. LED's will stay lit for five minutes. Alarm will start chirping slowly at 7/8 of a tank then very rapidly when full. Push again to exit fill mode.
- Battery Check:** Four button pushes will display remaining current battery power level. (Battery levels below 2 will cause the alarm to chirp and the fault light to light during level check.)
- Alarm Setting:** Five button pushes will light the LED corresponding to the current alarm setting. (note: this will silence the alarm for 24 hours) If alarm is in the off mode no LED will light. In the battery well there are three switches. The switch to the left will turn the alarm on (up) or off (down). See below for switch settings. When desired setting/level is reached the alarm will chirp every minute for one hour then once every hour. When the button is pressed

the alarm will be silent for 24 hrs and then start chirping again

Alarm Switch Settings

